

Parts book  
for high speed direct drive  
automatic lockstitch machine  
with built-in energy saving motor

*Tronic 6 NEO*

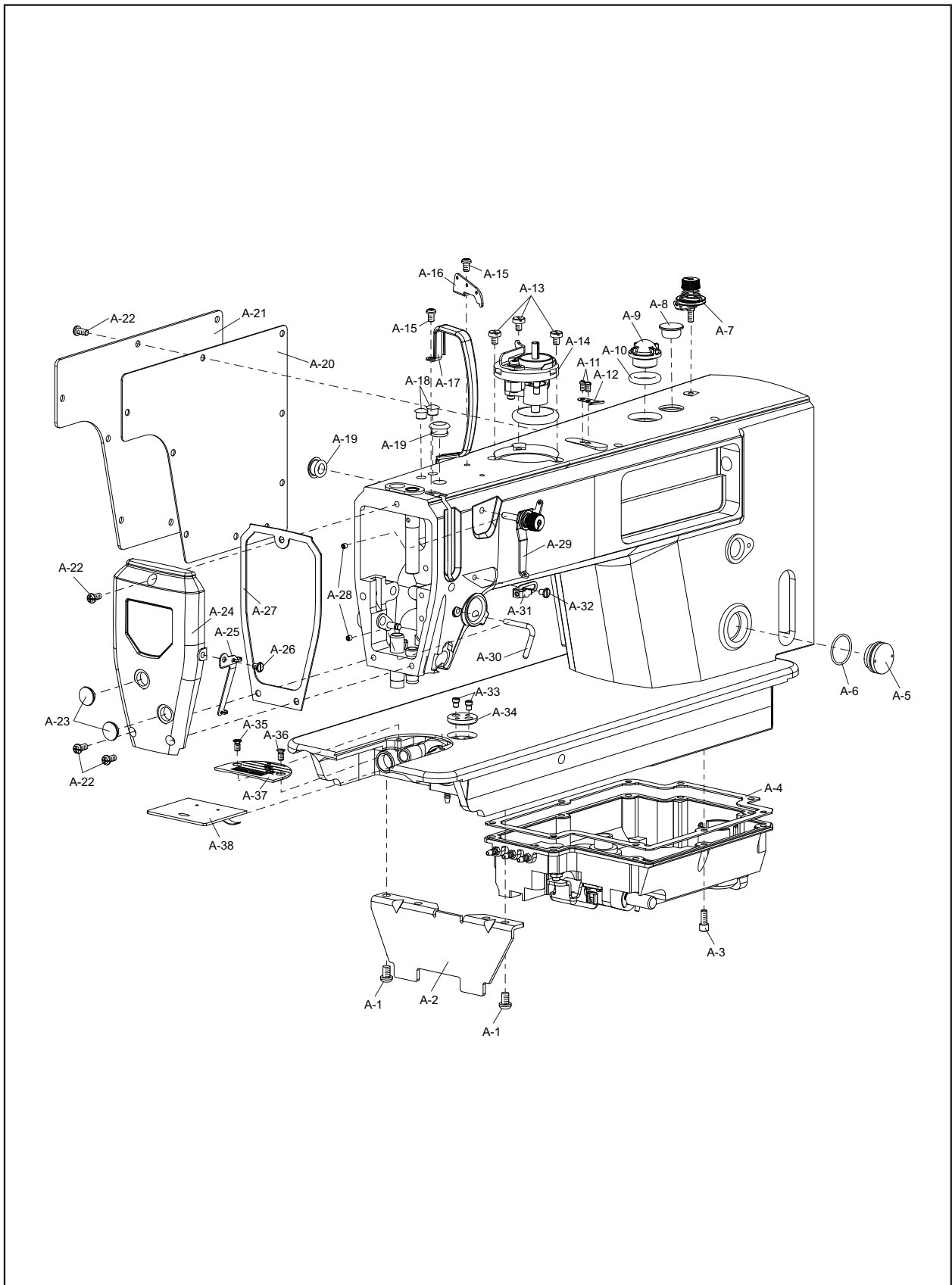
 *texi*



## CONTENTS

A. Machine Frame & Miscellaneous Cover Components.....	1
B. Main Shaft & Thread Take-up Cover Components.....	3
C. Hang Lifter & Tension Release Components.....	5
D. Hook of Driving Shaft Components .....	8
E. Feed Mechanism Components.....	10
F. Thread Trimmer Components.....	13
G. Lubrication Components.....	15
H. Drive-by-wire Components.....	17
I. Thread Stand Components.....	19
J. Auxiliaries.....	21

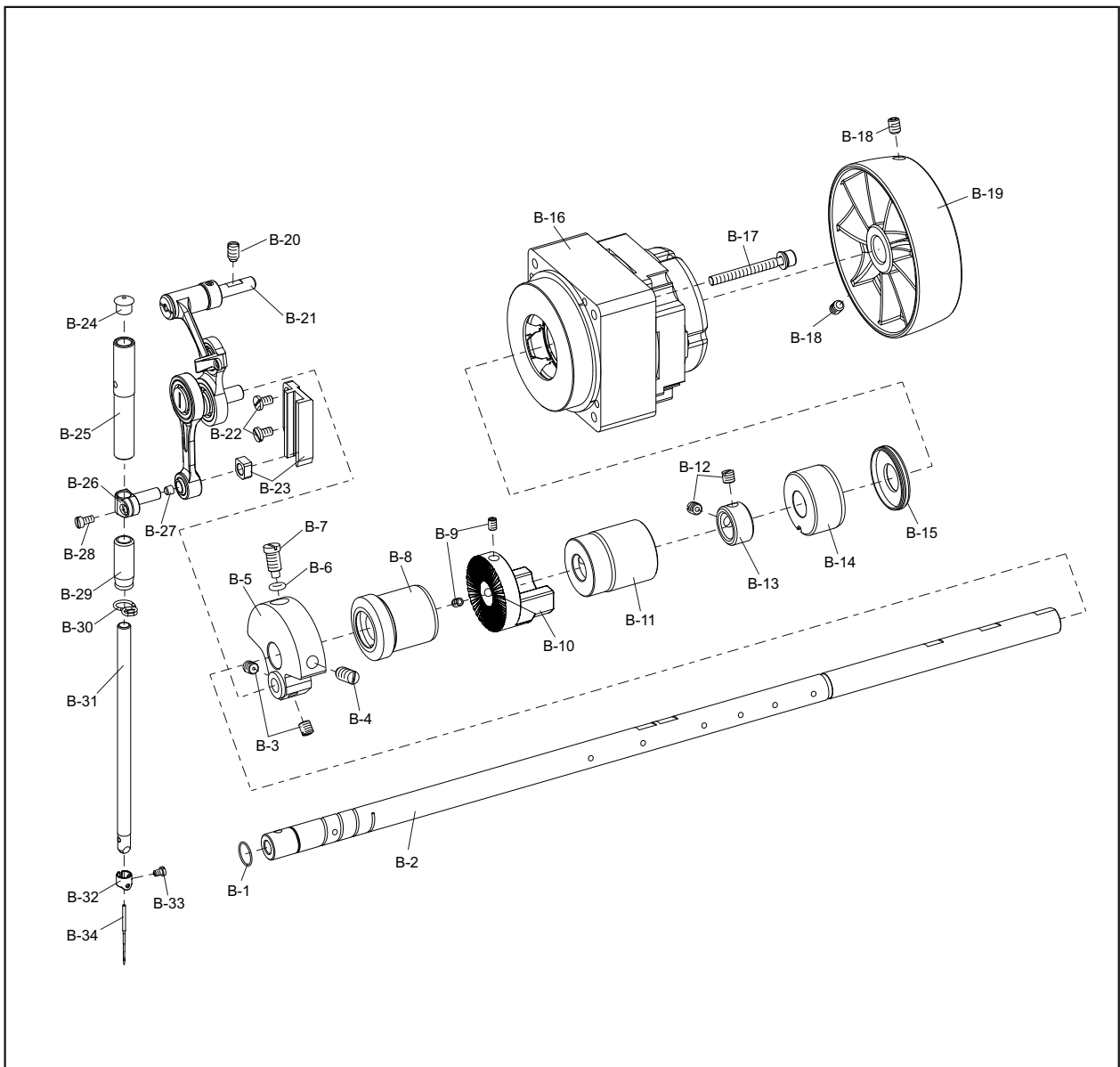
## A. Machine Frame & Miscellaneous Cover Components



## A. Machine Frame & Miscellaneous Cover Components

Ref. No.	Part No.	Description	QTY
A-1	10012142	Screw SM15/64"×28	2
A-2	10061666	Front Shaft sleeve plate	1
A-3	10004611	Screw SM3/16"×28	9
A-4	10058100	Tank cover gasket	1
A-5	10009118	Oil window	1
A-6	10008980	O-ring 1.4×23	1
A-7	10059716	Bobbin thread tension ASM.	1
A-8	10009576	Rubber plug 16	1
A-9	10008938	Oil window	1
A-10	10008939	O-ring 19×3	1
A-11	10050423	Screw SM9/64"×40	2
A-12	10011149	Thread cutter	1
A-13	10004380	Screw SM3/16"×32	3
A-14	*	Bobbin wider ASM.	1
A-15	10008934	Screw SM3/16"×28	2
A-16	10052992	Thread guide plate	1
A-17	10014082	Thread take-up lever cover	1
A-18	10008943	Rubber plug	2
A-19	10008942	Rubber plug	2
A-20	10058208	Side plate gasket	1
A-21	20021544	Side plate	1
A-22	10008972	Screw SM3/16"×28	12
A-23	10008977	Rubber plug	2
A-24	20022331	Face plate	1
A-25	10040996	Arm thread guide left	1
A-26	10008973	Screw SM11/64"×40	1
A-27	10058098	Face plate gasket	1
A-28	10009074	Screw M4×4	2
A-29	10063097	Upper thread take-up device ASM.	1
A-30	10038945	Presser bar guide bracket	1
A-31	10054575	Arm thread guide right	1
A-32	10008973	Screw SM11/64"×40	1
A-33	10004374	Screw SM11/64"×40	2
A-34	10004373	Ruler plate	2
A-35	10012463	Screw SM11/64"×40	1
A-36	10009005	Screw SM11/64"×40	2
A-37	10052464	Needle plate	1
A-38	10013706	Push plate ASM.	1

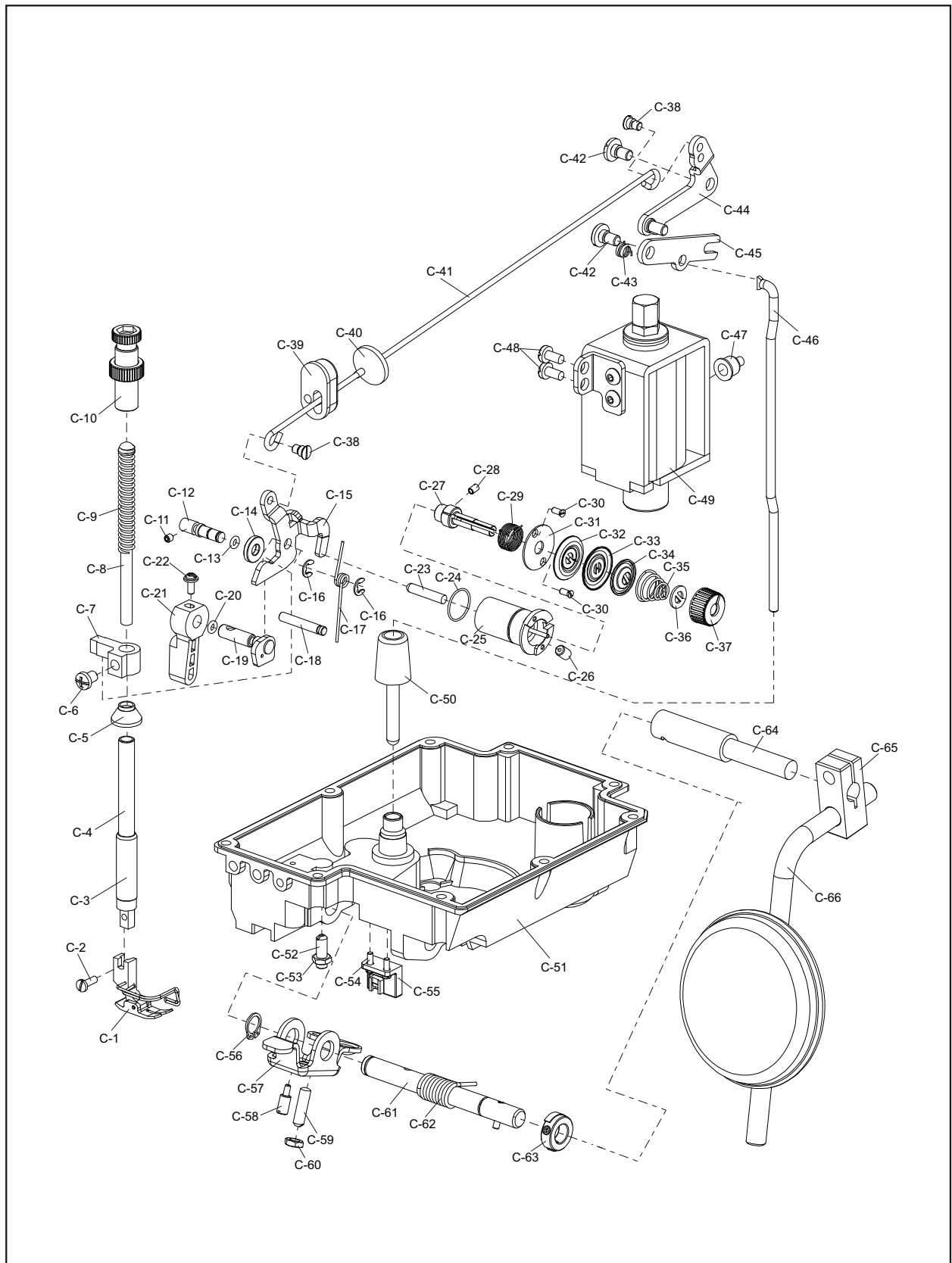
## B. Main Shaft & Thread Take-up Cover Components



## B. Main Shaft & Thread Take-up Cover Components

Ref. No.	Part No.	Description	QTY
B-1	10008886	O-ring 12.2×0.8	1
B-2	10058540	Main shaft	1
B-3	10010065	Screw SM1/4"×40	2
B-4	10010082	Screw SM9/32"×28	1
B-5	10008850	Counter weight	1
B-6	10010534	O-ring 9.2×2.4	1
B-7	10010545	Screw SM9/32"×28	1
B-8	10058061	Shaft sleeve	1
B-9	10012062	Screw SM11/64"×40	2
B-10	10062836	Driving wheel	1
B-11	10058166	Shaft sleeve	1
B-12	10005020	Screw SM1/4"×40	2
B-13	10051571	Thrust collar	1
B-14	10056893	Shaft sleeve	1
B-15	10058049	Oil seal 36×15	1
B-16	10058054	Motor	1
B-17	10059025	Screw ASM. M5	4
B-18	10009187	Screw M6×8	2
B-19	20022332	Head wheel	1
B-20	10010083	Screw SM15/64"×28	1
B-21	10052994	Thread take-up lever ASM.	1
B-22	10043360	Screw SM11/64"×40	2
B-23	10054365	Guide & Slider	1
B-24	10010587	Rubber plug	1
B-25	10053132	Shaft sleeve	1
B-26	10059132	Needle bar holder	1
B-27	10008864	Rubber plug	1
B-28	10030286	Screw SM9/64"×40	1
B-29	10008955	Shaft sleeve	1
B-30	10005943	Needle bar thread guide	1
B-31	10029605	Needle bar	1
B-32	10013181	Needle bar thread guide	1
B-33	10013182	Screw SM1/8"×40	1
B-34	*	Needle 135x5	1

### C. Hang Lifter & Tension Release Components





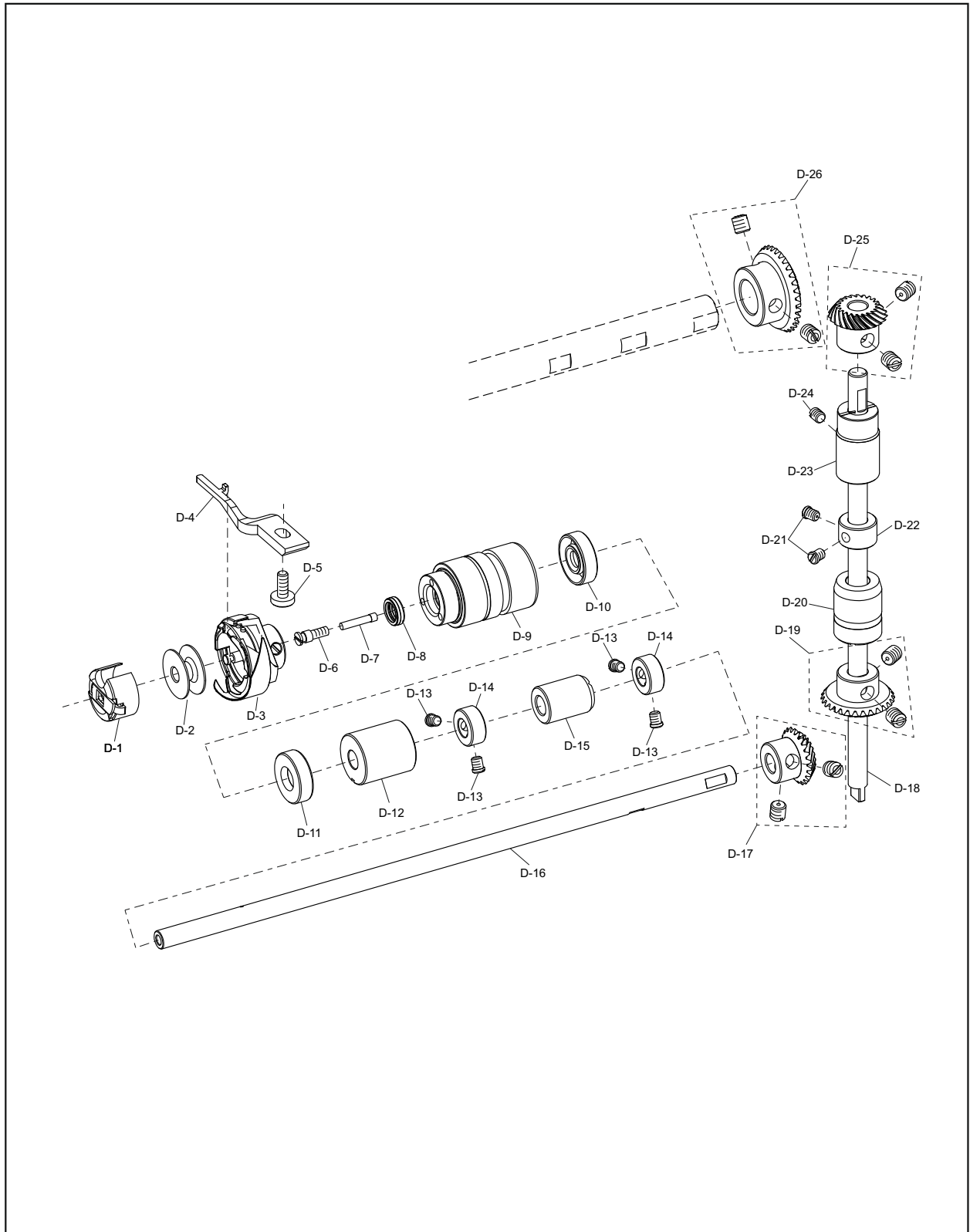
### C. Hang Lifter & Tension Release Components

Ref. No.	Part No.	Description	QTY
C-1	10052532	Presser foot ASM.	1
C-2	10010650	Screw SM9/64" ×40	1
C-3	10010646	Presser bar	1
C-4	10005915	Shaft sleeve	1
C-5	10011457	Oil protector cover	1
C-6	10000325	Screw M6×8	1
C-7	10039365	Presser guide bar bracket	1
C-8	10004439	Presser guide bar	1
C-9	10004473	Spring	1
C-10	10059719	Screw ASM.	1
C-11	10009074	Screw M4×4	1
C-12	10039373	Pin	1
C-13	10010027	O-ring 3.68×1.78	1
C-14	10051244	Gasket 6.2×15×2.7	1
C-15	10058058	Lifting lever	1
C-16	10013038	Closing ring 5×0.8	2
C-17	10052046	Spring	1
C-18	10039374	Pin	1
C-19	10050190	Hand lifter CAM ASM.	1
C-20	10010027	O-ring 3.68×1.78	1
C-21	10059718	Hand lifter	1
C-22	10010016	Screw SM11/64"×40	1
C-23	10058060	Tension release supporting pin	1
C-24	10053484	O-ring 17×1	1
C-25	10053473	Electromagnetic	1
C-26	10010678	Screw SM15/64"×28	1
C-27	10037581	Screw	1
C-28	10002896	Screw M4×5	1
C-29	10053259	Spring	1
C-30	10010399	Screw SM3/32"×56	2
C-31	10051910	Lock plate	1
C-32	10005489	Thread tension disk	1
C-33	10005489	Thread tension disk	1
C-34	10004625	Thread tension disk presser	1
C-35	10004176	Spring	1
C-36	10004199	Rotating stopper	1
C-37	10059715	Thread tension nut	1
C-38	10010651	Screw SM3/16"×32	2
C-39	10059957	Rubber plug	1
C-40	10053351	Oil shield	1
C-41	10057558	Lifting lever connecting rod	1
C-42	10010652	Screw	2
C-43	10009205	Spring	1
C-44	10057556	Lifting lever link ASM.	1
C-45	10057557	Connecting plate	1
C-46	10057559	Connecting rod vertical	1
C-47	10040990	Rubber plug	1

### C. Hang Lifter & Tension Release Components

Ref. No.	Part No.	Description	QTY
C-48	10000134	Screw M5×10	4
C-49	10051708	Electromagnetic	1
C-50	10051176	Knee lift rod	1
C-51	10058063	Oil pan	1
C-52	10058106	Screw	1
C-53	10003890	Nut M6×3.2	1
C-54	10002975	Screw M3×6	2
C-55	10059452	Force sensor cluster	1
C-56	10063385	Retaining ring 11	1
C-57	10059960	Two-way crank of lifting pressor foot	1
C-58	10058784	Screw	1
C-59	10061673	Screw	1
C-60	10003890	Nut M6×3.2	1
C-61	10058101	Lifting shaft	1
C-62	10059959	Spring	1
C-63	10059453	Magnet ASM.	1
C-64	10058090	Knee pressing rod	1
C-65	10002562	Connection ASM.	1
C-66	10052476	Knee pressing rod ASM.	1

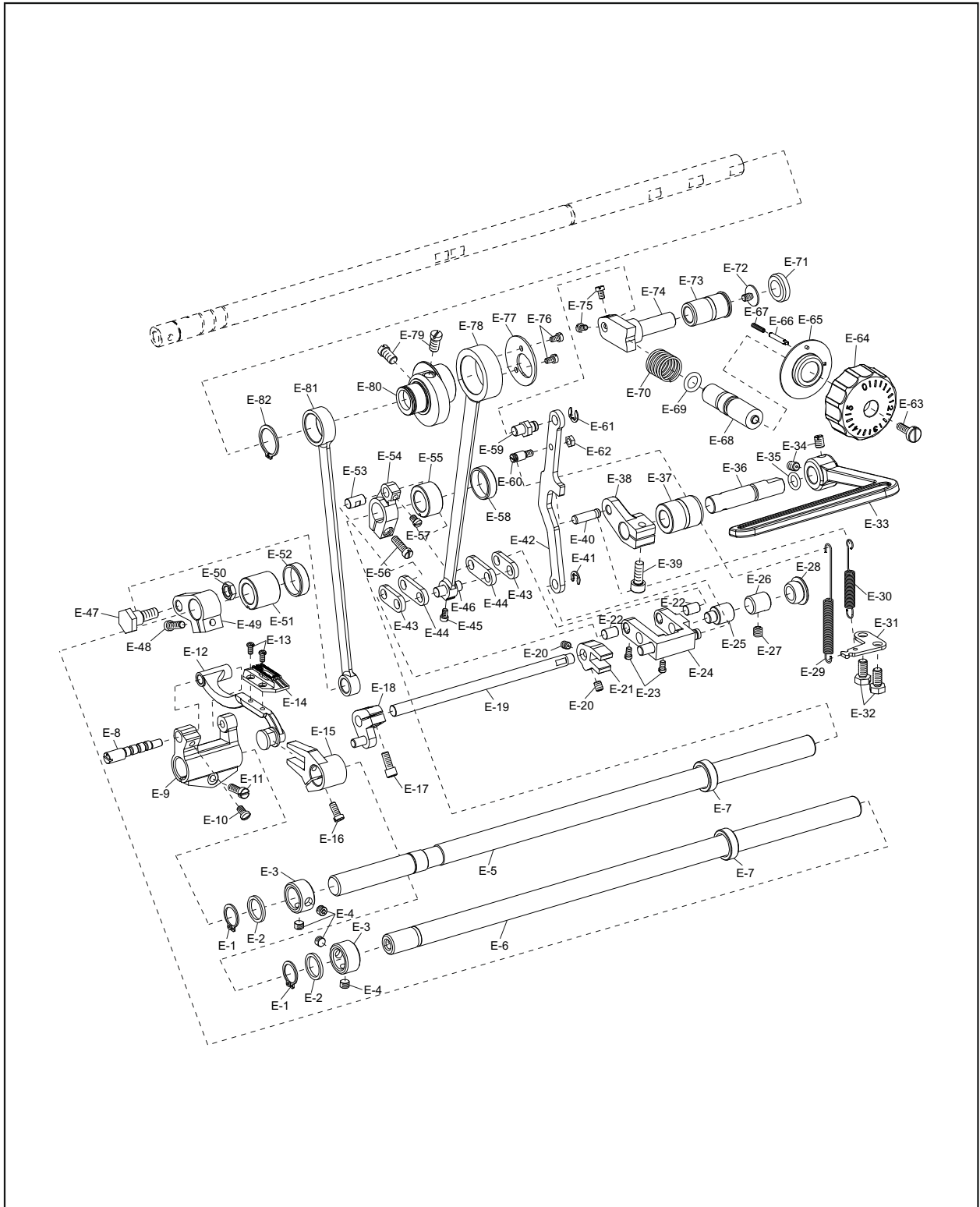
## D. Hook of Driving Shaft Components



## D. Hook of Driving Shaft Components

Ref. No.	Part No.	Description	QTY
D-1	10006924	Bobbin case	1
D-2	10025484	Bobbin	1
D-3	*	Hook	1
D-4	10061669	Positioning finger	1
D-5	10052410	Screw SM11/64"×40	1
D-6	10010064	Screw	1
D-7	10010063	Oil wick	1
D-8	10013029	Oil sealing 7.94×12×3.5	1
D-9	10058168	Shaft sleeve	1
D-10	10014503	Oil sealing 7.94×22×6.5	1
D-11	10014503	Oil sealing 7.94×22×6.5	1
D-12	10058278	Shaft sleeve	1
D-13	10010059	Screw SM11/64"×40	4
D-14	10058173	Thrust collar	2
D-15	10063444	Shaft sleeve	1
D-16	10058094	Hook driving shaft	1
D-17	10002560	Gear ASM.	1
D-18	10058174	Upright shaft	1
D-19	10002509	Gear ASM.	1
D-20	10058983	Shaft sleeve	1
D-21	10010059	Screw SM11/64"×40	2
D-22	10010058	Thrust collar	1
D-23	10058981	Shaft sleeve	1
D-24	10039610	Screw SM3/16"×40	1
D-25	10002561	Gear	1
D-26	10002445	Gear ASM.	1

## E. Feed Mechanism Components



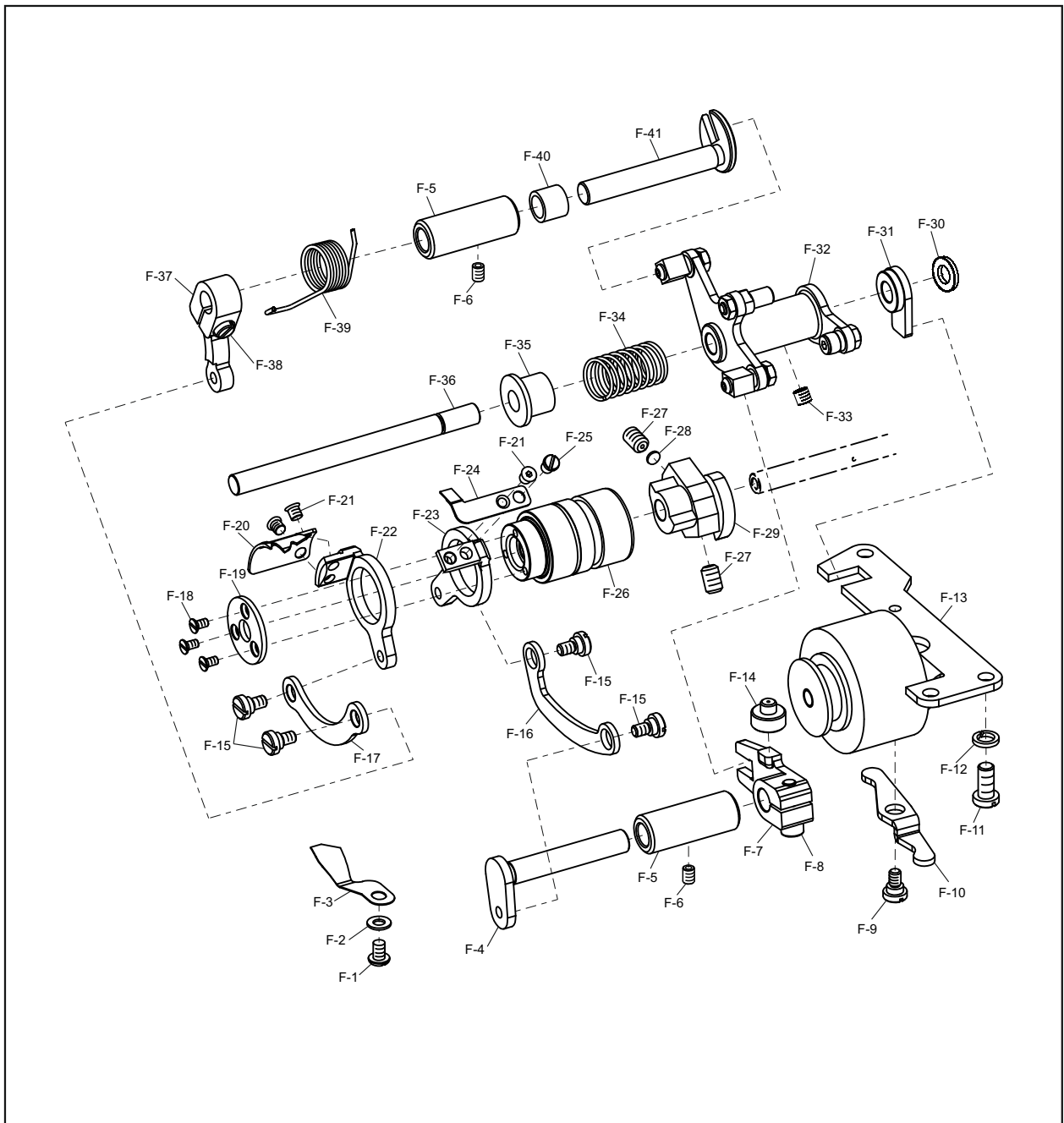
## E. Feed Mechanism Components

Ref. No.	Part No.	Description	QTY
E-1	10010090	Closing ring 13.8×1	2
E-2	10058066	Washer 15×23×2	2
E-3	10010542	Closing ring	2
E-4	10038073	Screw SM1/4"×40	4
E-5	10061676	Feed rocker shaft	1
E-6	10058096	Feed driving shaft	1
E-7	10012536	Oil seal 14.72×22×7	2
E-8	10061663	Pin	1
E-9	10061662	Feed bar driving crank	1
E-10	10010074	Screw SM11/64"×40	1
E-11	10004993	Screw SM3/16"×28	1
E-12	20000349	Feed bar ASM.	1
E-13	10010099	Screw SM1/8"×44	2
E-14	10056721	Feed dog	1
E-15	10054554	Crank	1
E-16	10004628	Screw SM11/64"×40	1
E-17	10004611	Screw SM3/16"×28	1
E-18	10058104	Crank ASM.	1
E-19	10058080	Shaft	1
E-20	10041529	Screw SM3/16"×28	2
E-21	10058082	Crank	1
E-22	10010087	pin 7×10	2
E-23	10010197	Screw SM9/64"×40	2
E-24	10058081	Feed adjusting ASM.	1
E-25	10058084	Pin	1
E-26	10058091	Pin	1
E-27	10010678	Screw SM15/64"×28	1
E-28	10041153	Rubber plug	1
E-29	10059961	Spring	1
E-30	10010237	Spring	1
E-31	10051180	Plate	1
E-32	10050422	Screw SM15/64"×28	2
E-33	20022330	Reverse feed control lever	1
E-34	10040504	Screw M6	2
E-35	10010243	O-ring 7.8×2	1
E-36	10008827	Reverse feed shaft	1
E-37	10014119	Shaft sleeve	1
E-38	10039853	Crank	1
E-39	10009008	Screw M6×16	1
E-40	10010287	Pin 6×21	1
E-41	10010649	Closing ring 5.1×0.6	1
E-42	10051073	Feed adjust rod	1
E-43	10010075	Short link	2
E-44	10010068	Long link	2
E-45	10010071	Screw SM9/64"×40	1
E-46	10010069	Pin	1
E-47	10051856	Screw SM9/32"×28	1

## E. Feed Mechanism Components

Ref. No.	Part No.	Description	QTY
E-48	10010095	Screw SM3/16"×28	1
E-49	10010086	Crank	1
E-50	10004475	Nut SM9/32"×28	1
E-51	10052944	Shaft sleeve	1
E-52	10054363	Rubber plug	1
E-53	10010096	Pin 7×13	1
E-54	10010076	Crank	1
E-55	10040989	Shaft sleeve	1
E-56	10010095	Screw SM3/16"×28	1
E-57	10010071	Screw SM9/64"×40	1
E-58	10054363	Rubber plug	1
E-59	10026886	Pin	1
E-60	10051074	Screw	1
E-61	10010649	Closing ring 5.1×0.6	1
E-62	10010370	Nut SM11/64"×40	1
E-63	10051845	Screw	1
E-64	10059722	Feed dial	1
E-65	10051578	Arresting disc ASM.	1
E-66	10051619	Pin	1
E-67	10013869	Spring	1
E-68	10036738	Screw	1
E-69	10010240	O-ring 9.2×2.7	1
E-70	10051621	Spring	1
E-71	10051578	Rubber plug	1
E-72	10010238	Screw SM3/16"×28	1
E-73	10008956	Shaft sleeve	1
E-74	10008848	Feed regulator	1
E-75	10051742	Screw SM9/64"×40	2
E-76	10010643	Screw SM9/64"×40	2
E-77	10010098	Plate	1
E-78	10010072	Connecting rod	1
E-79	10010092	Screw SM1/4"×40	2
E-80	10010115	Feed drive eccentric cam	1
E-81	10010084	Connecting rod	1
E-82	10010089	Closing ring 18.5×1.2	1

## F. Thread Trimmer Components

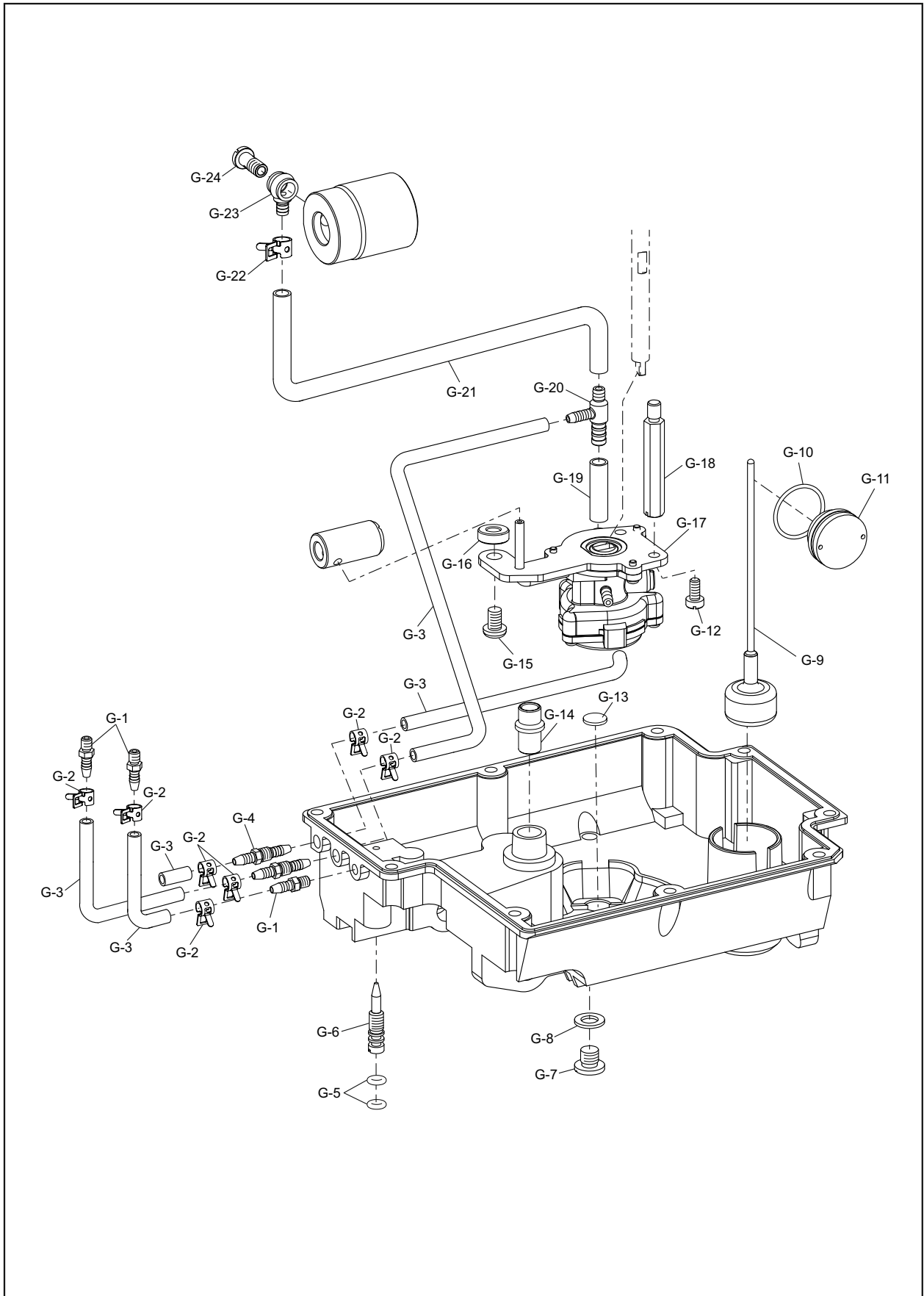




## F. Thread Trimmer Components

Ref. No.	Part No.	Description	QTY
F-1	10014474	Screw SM11/64"×40	1
F-2	10013154	Washer 9×4.5×0.8	1
F-3	10058067	Dispart	1
F-4	10058189	Trimming crank	1
F-5	10012454	Shaft sleeve	2
F-6	10012062	Screw SM11/64"×40	2
F-7	10058192	Trimming crank	1
F-8	10009008	Screw M6×6	1
F-9	10011514	Screw SM11/64"×40	1
F-10	10058072	Trimming driving plate	1
F-11	10010405	Screw SM15/64"×28	3
F-12	10054384	Washer	3
F-13	10059451	Thread trimmer solenoid ASM.	1
F-14	10062089	Block	1
F-15	10011514	Screw SM11/64"×40	4
F-16	10058188	Knife shaft crack rod	1
F-17	10011577	Knife shaft crack rod	1
F-18	10009626	Screw M4×3.5	3
F-19	10013026	Knife holder	1
F-20	10058184	Round knife	1
F-21	10011588	Screw SM11/64"×40	3
F-22	10058183	Round knife bracket	1
F-23	10058186	Auxiliary tool holder	1
F-24	10058187	Auxiliary knife	1
F-25	10061665	Screw	1
F-26	10058168	Shaft sleeve	1
F-27	10013465	Screw SM1/4"×40	2
F-28	10023739	Cam collar	1
F-29	10010736	Thread trimmer cam	1
F-30	10011650	Washer 8.2×15×2	1
F-31	10058074	Trimming driving shaft ASM.	1
F-32	10058181	Trimming shaft ASM.	1
F-33	10008862	Screw SM1/4"×40	1
F-34	10008812	Spring	1
F-35	10014196	Spring cover	1
F-36	10058071	Trimming shaft ASM.	1
F-37	10058185	Trimming crank	1
F-38	10008863	Screw SM3/16"×32	1
F-39	10011649	Spring	1
F-40	10011630	Short bushing	1
F-41	10008866	Trimming crank shaft	1

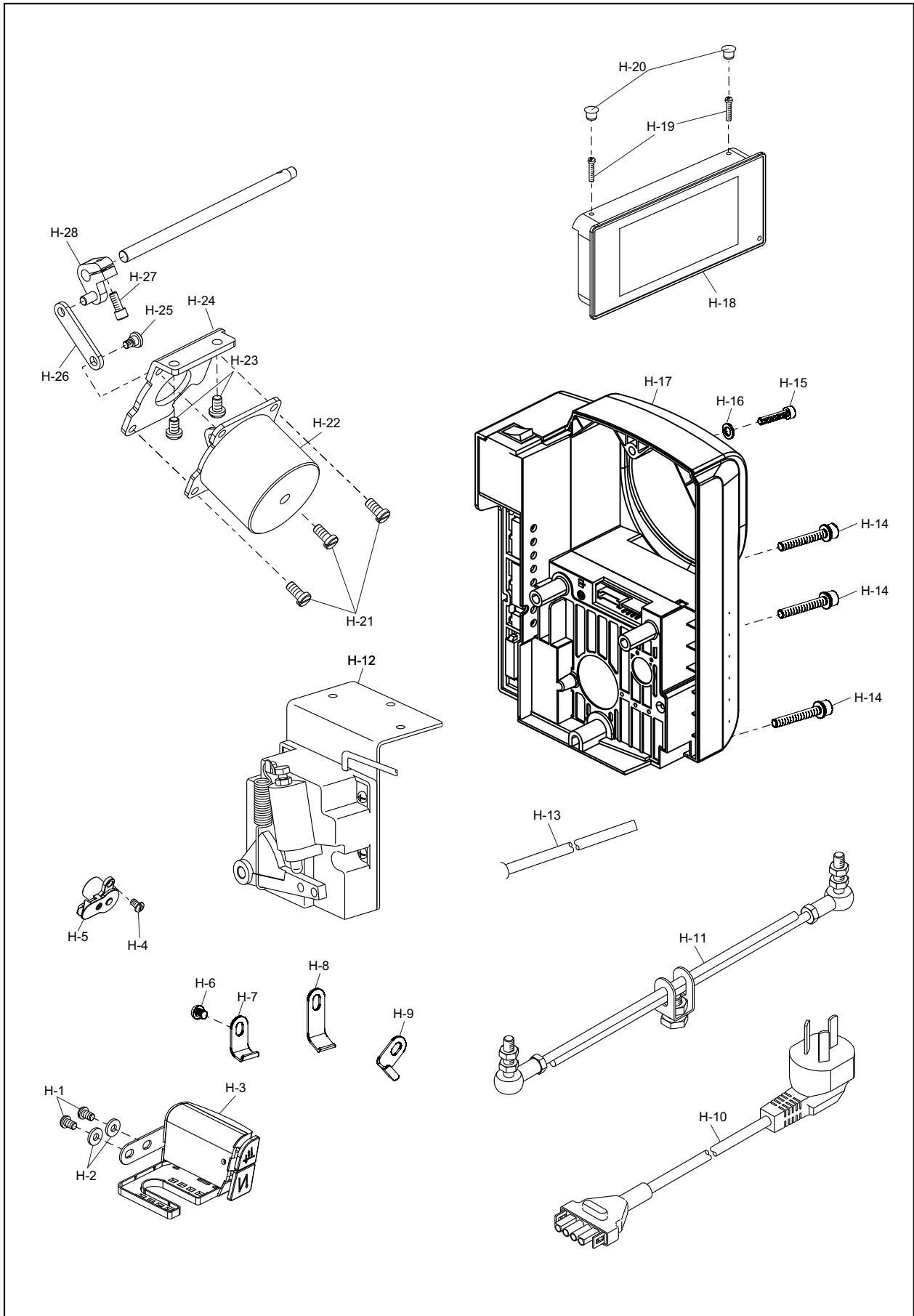
## G. Lubrication Components



## G. Lubrication Components

Ref. No.	Part No.	Description	QTY
G-1	10052811	Oil connection	3
G-2	10012160	Clank	7
G-3	10007800	Oil tube 3×5	700
G-4	10058103	Oil connection	2
G-5	10000567	O-ring 3.6×1.8	2
G-6	10058087	Screw	1
G-7	10009991	Screw SM5/16"×24	1
G-8	10009988	Washer	1
G-9	10061672	Oil pointer ASM.	1
G-10	10008980	O-ring 23×1.6	1
G-11	10063245	Indicator ASM.	1
G-12	10010066	Screw SM11/64"×40	1
G-13	10053411	Magnet	1
G-14	10051249	Guide sleeve	1
G-15	10050422	Screw SM15/64"×28	1
G-16	10059958	Washer	1
G-17	10058201	Oil pump	1
G-18	10058276	Screw	1
G-19	10007805	Oil tube 6×8	1
G-20	10058212	Oil connection	1
G-21	10007796	Oil tube 4×6	1
G-22	10011471	Clank	1
G-23	10012103	Oil connection	1
G-24	10012084	Screw	1

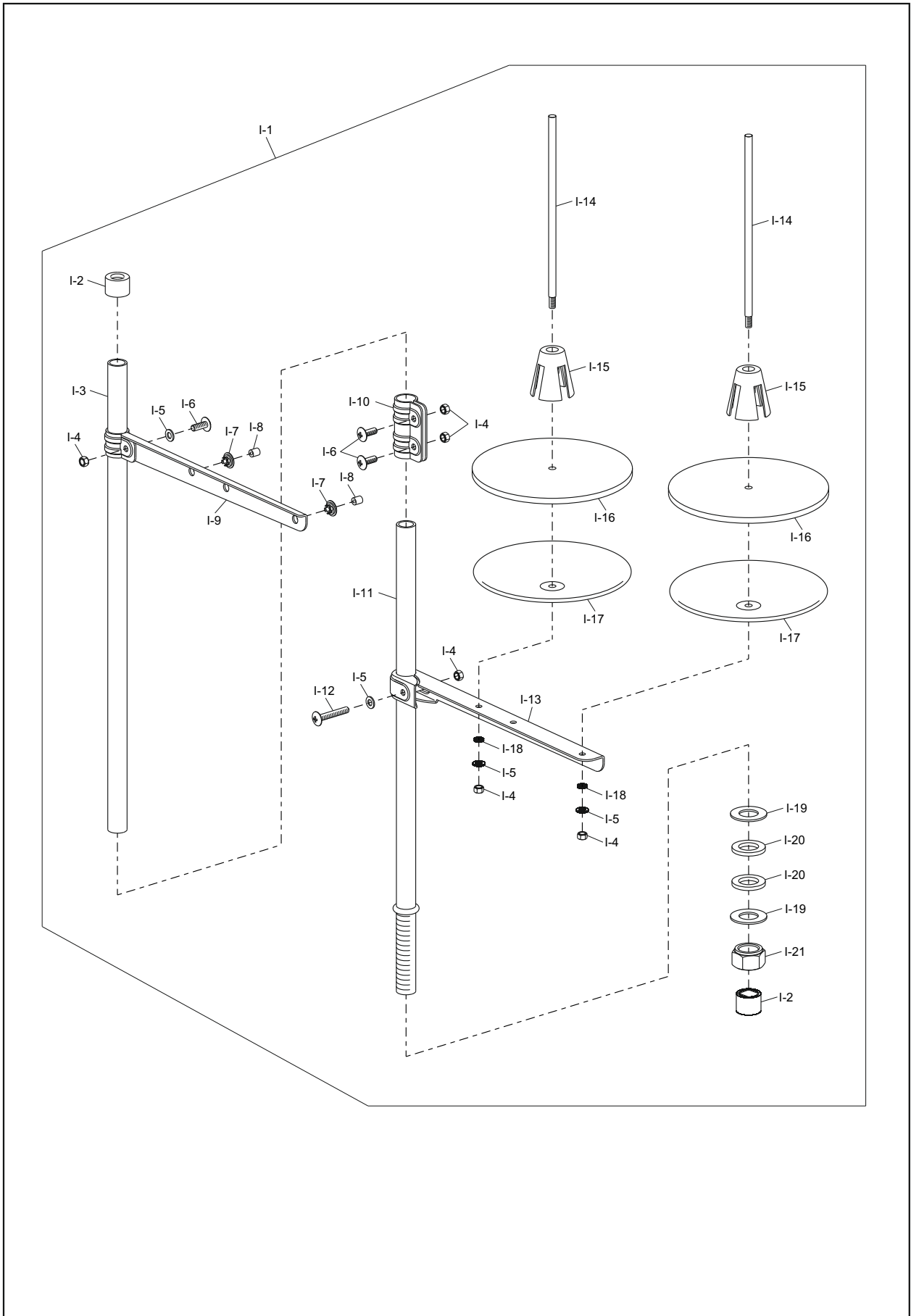
## H. Drive-by-wire Components



## H. Drive-by-wire Components

Ref. No.	Part No.	Description	QTY
H-1	10008934	Screw SM3/16"×28	2
H-2	10011168	Washer 4.8×11.6×1.6	2
H-3	10058099	Led lamp ASM.	1
H-4	10005204	Screw M4×6	1
H-5	10039460	Electromagnet tension disk	1
H-6	10010899	Screw SM3/16"×28	1
H-7	10035172	Cord holder	1
H-8	10061349	Cord holder	1
H-9	10035172	Cord holder	1
H-10	10042942	Cable	1
H-11	10042945	Pedal control rod ASM.	1
H-12	10031424	Pedal unit ASM.	1
H-13	10060681	Wire	1
H-14	10049837	Screw M5	3
H-15	10012080	Screw M4×20	1
H-16	10006115	Washer 5.3×9×1	1
H-17	10059457	Control box	1
H-18	10062619	Operation panel	1
H-19	10001796	Screw M3×14	2
H-20	10014266	Rubber plug	2
H-21	10005003	Screw M5×8	3
H-22	10058088	Backstitch electromagnet ASM.	1
H-23	10010292	Screw SM15/64"×28	2
H-24	10058075	Plate	1
H-25	10000248	Screw SM3/16"×32	1
H-26	10058077	Plate	1
H-27	10011376	Screw M5×12	1
H-28	10058104	Winch ASM.	1

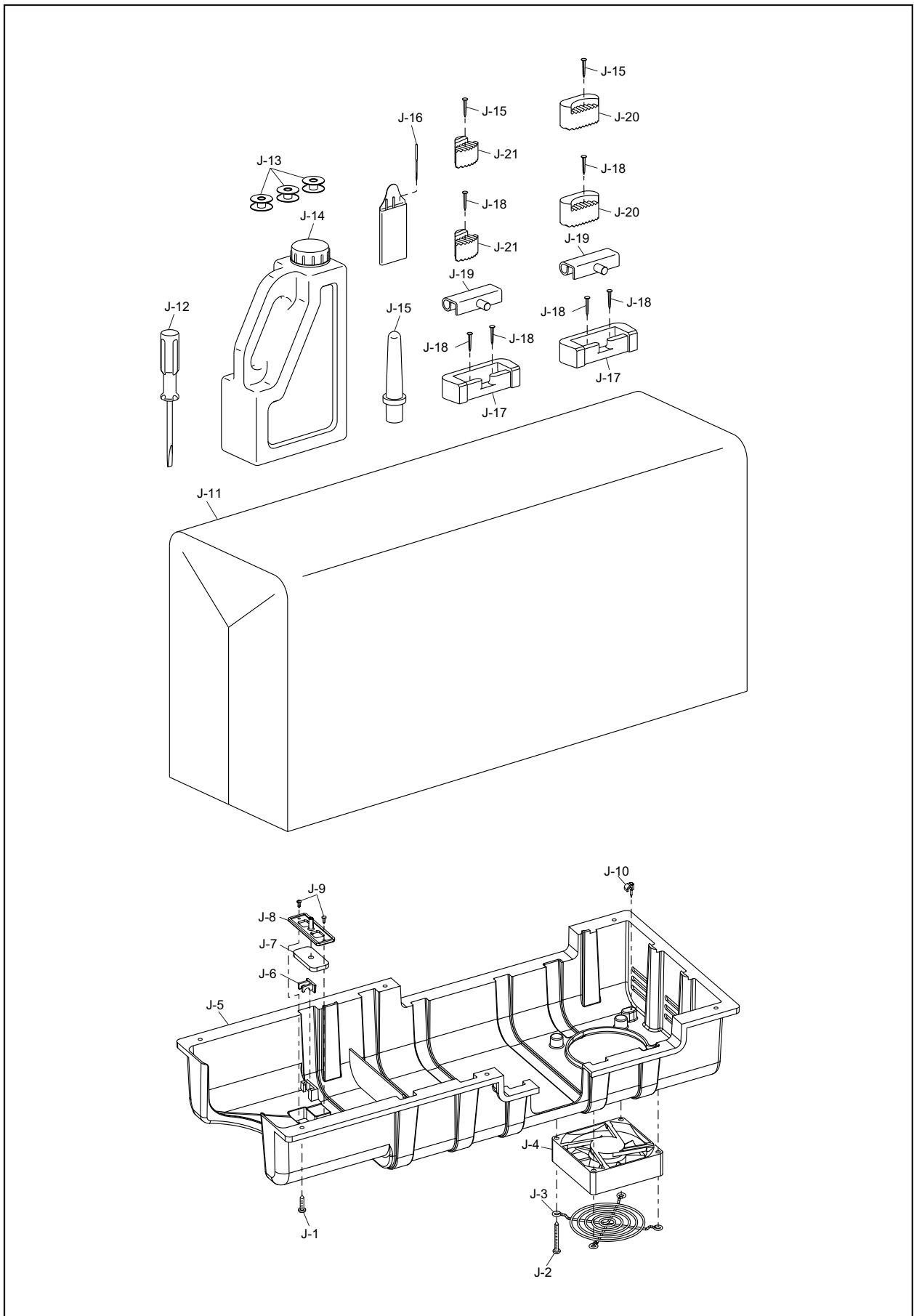
# I. Thread Stand Components



## I. Thread Stand Components

Ref. No.	Part No.	Description	QTY
I-1	10007130	Thread stand ASM.	1
I-2	10004282	Column cap	2
I-3	10004293	Column pipe(upper)	1
I-4	10002953	Nut M5	6
I-5	10003022	Washer 5	4
I-6	10003301	Screw M5×14	3
I-7	10004285	Thread guide bushing	2
I-8	10004289	Thread guide pipe	2
I-9	10004298	Thread hanger(upper)	1
I-10	10004286	Column pipe connector	1
I-11	10004291	Column pipe(lower)	1
I-12	10003312	Screw M5×30	1
I-13	10004284	Thread hanger(lower)	1
I-14	10004288	Spool pin	2
I-15	10004287	Spool cushion	2
I-16	10004281	Spool mat	2
I-17	10004299	Spool seat disc	2
I-18	10003077	Washer 5	2
I-19	10004290	Washer 16×30×1.5	2
I-20	10004295	Washer 16.5×27.5×3	2
I-21	10002985	Nut M16	1

## J. Auxiliaries





## J. Auxiliaries

Ref. No.	Part No.	Description	QTY
J-1	10008323	Screw ST 4.2×20	6
J-2	10054672	Screw ST 3.5×32	4
J-3	10054673	Fan protective cover	1
J-4	10054470	Fan	1
J-5	10051332	Oil reservoir	1
J-6	10051652	Holder	1
J-7	10051707	Scavenging felt	1
J-8	10051651	Scavenging felt holder	1
J-9	10003185	Screw ST2.2×6.5	2
J-10	10054910	Wire clamp ASM.	1
J-11	*	Head cover	1
J-12	10010995	Screw driver	1
J-13	10025484	Bobbin	3
J-14	10004455	Oil box	1
J-15	10050425	Head pole	1
J-16	10034917	Needle DB×1 14#	3
J-17	10011041	Head connecting hook socket	2
J-18	10003889	Nail	8
J-19	10004466	Head connecting hook	2
J-20	10051245	Oil reservoir cushion	2
J-21	10051246	Oil reservoir seat	2







Dealer:

--