

# MB-60 / SC-60

## MINI CUTTER

### Instruction & Parts List

**Read this instruction book before use it.  
Save this instruction book after you read it.**

#### ※ **WARNING**

This machine is equipped with cutting parts that can cause injuries during work or even in static state - handle with care!

DO NOT continue work if the machine temperature is getting too high, that makes it's use uncomfortable!

Disconnect the battery from the machine when it is not in use or during changing parts or maintenance to avoid accidental activation.

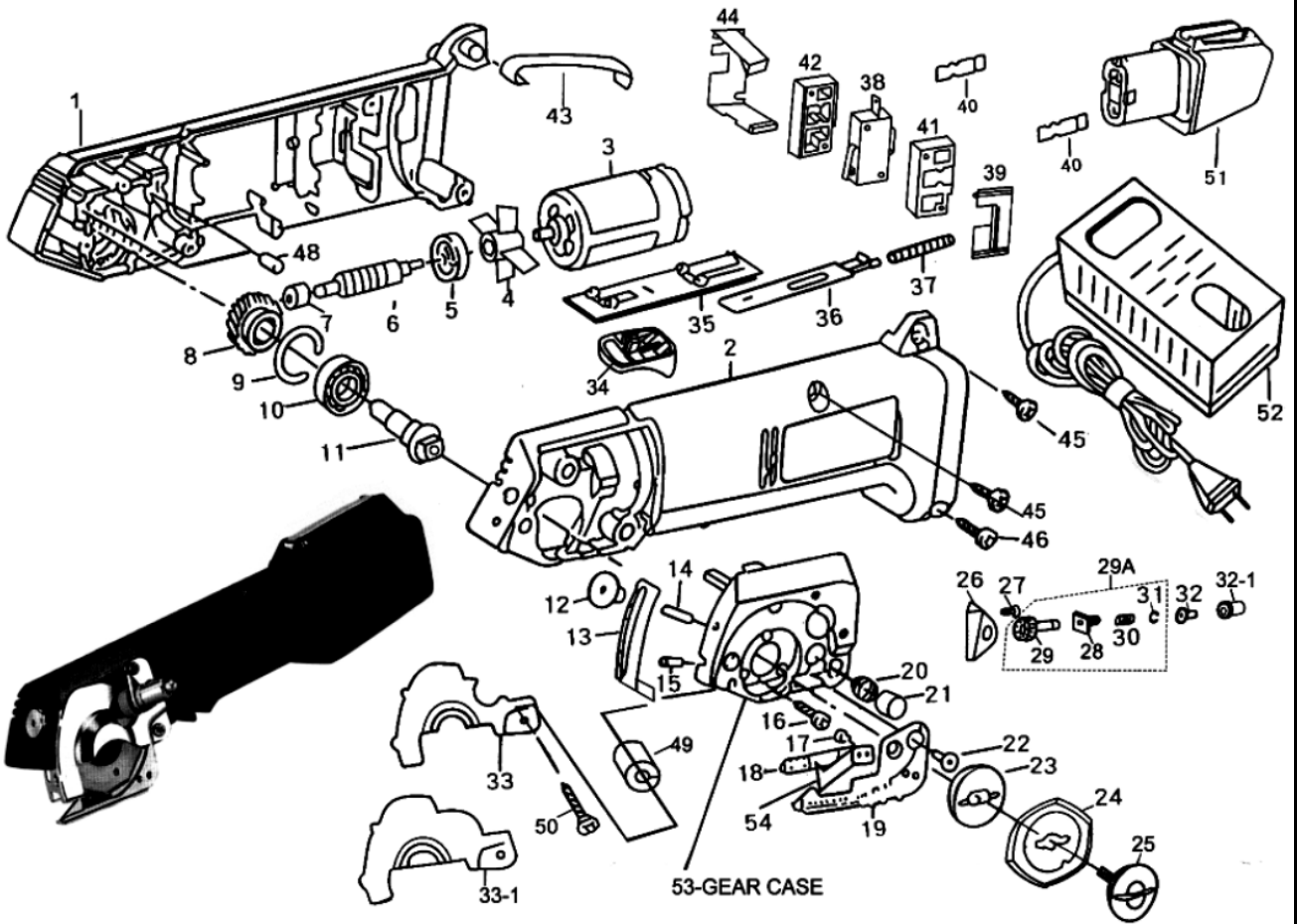
#### **General Safety Information:**

1. Before start to operate:
  - Make sure that cutting parts are installed right way, tightened and connected well.
  - Battery is charged and connected properly to the machine.
2. Always keep machine base in a contact with the table during operation - Do not cut while holding the machine in the air!
3. Clean off the grease excess, material leftovers and dust from movable parts and machine chassis after use.

#### ※ **All Machines are equipped with Ni–Cd 9,6V battery that should be used, stored and charged properly.**

- Keep the batteries away from exposed flames, sparks and other ignition sources.
- NEVER short circuit a Ni–Cd to drain as this causes excessive heat and can cause injuries.
- Recommend that new batteries be slow-charged for 16–24 hours before use.
- Charge it only from original charging station supplied in set.
- Recommend full discharge of the battery before recharging it.
- Before long term store the battery, be sure to discharge it fairly deeply (recommended discharge is between 40% and 0%)
- The battery should be stored dry and cool place, not exposed to open sunlight, in temperature from between –20 °C and 45 °C
- Recommended not to store Ni–Cd batteries for an extended amount of time without occasionally using it. The best way to prevent the degradation is frequent use.
- Never throw NiCd-batteries in the trash it should be recycled in special places.

# MB-60 / SC-60 PARTS LIST



ITEM	PART NO.	DESCRIPTION	ITEM	PART NO.	DESCRIPTION
1	MB-60-1	RIGHT HOUSING	29	MB-60-29	STONE
2	MB-60-2	LEFT HOUSING	29A	MB-60-29A	STONE ASSY
3	MB-60-3	MOTOR	30	MB-60-30	SPRING
4	MB-60-4	MOTOR FAN	31	MB-60-31	RING
5	MB-60-5	BALL BEARING	32	MB-60-32	PUSH KNOB FOR STONE
6	MB-60-6	WORM GEAR	32-1	MB-60-32-1	SLEEVE FOR 29A
7	MB-60-7	BUSHING	33	MB-60-33	KNIFE GUARD
8	MB-60-8	HELIX GEAR	33-1	MB-60-33-1	KNIFE GUARD
9	MB-60-9	RETAINING RING	34	MB-60-34	ON-OFF HANDLE
10	MB-60-10	BALL BEARING	35	MB-60-35	SWITCH HOUSING
11	MB-60-11	GEAR SHAFT	36	MB-60-36	SLIDE
12	MB-60-12	NUT	37	MB-60-37	SPRING
13	MB-60-13	FINGER GUARD	38	MB-60-38	MICRO SWITCH
14	MB-60-14	SCREW	39	MB-60-39	SWITCH HOLDER
15	MB-60-15	SCREW	40	MB-60-40	SWITCH SLIDE
16	MB-60-16	SCREW	41	MB-60-41	L.SWITCH CLIP
17	MB-60-17	SCREW	42	MB-60-42	R.SWITCH CLIP
18	MB-60-18	CUTTING BLADE W/CARBIDE	43	MB-60-43	SWITCH HOLDER
19	MB-60-19	LEG	44	MB-60-44	BATTERY CLAMPING
20	MB-60-20	SPRING	45	MB-60-45	SCREW
21	MB-60-21	OIL FELT	46	MB-60-46	SCREW
22	MB-60-22	SCREW	48	MB-60-48	STOPPER
23	MB-60-23	HELIX GEAR SUPPORT	49	MB-60-49	KNIFE GUARD SOCKET
24	MB-60-24	10 SIDED KNIFE	50	MB-60-50	KNIFE LOCK SCREW
25	MB-60-25	KNIFE LOCK SCREW	51	MB-60-51	BATTERY 9.6V
26	MB-60-26	SHARPENER HOLDER	52	MB-60-52	BATTERY CHARGER
27	MB-60-27	SCREW	53	MB-60-53	GEAR CASE
28	MB-60-28	SQUARE SLEEVE FOR STONE	54	MB-60-54	GUIDE PLATE

\*MB-60-33-1 OPTIONAL FOR WITHOUT STONE

## Nickel Cadmium Battery Care & Disposal



This nickel cadmium battery must be collected, recycled, or disposed of in an environmentally sound manner.

Do not place used batteries in your regular trash. The incineration, land filling, or mixing of nickel cadmium batteries with municipal solid waste streams is prohibited by law in most areas.

Return depleted batteries to an authorized power tool service center or other State Municipal approved battery collection center. Contact your local waste management

authority for specific locations and additional information regarding the environmentally sound collection, recycling, and disposal of nickel cadmium batteries.

**CAUTION** Do not expose the tool or battery to fire or high heat as batteries may explode. Care must be taken not to short terminals together with metal objects; jewelry, keys, nails, screws, etc. Do not attempt to disassemble battery. Fire or injury may result. Prior to disposal protect terminals with heavy insulating tape to prevent shorting.

Item No. **MB-60-51**

### Terms of warranty:

The warranty for mechanical parts, excluding wear parts and parts that work in contact with the material, such as knives, sharpening stones, carbon brushes, guards, is 12 months from the date of invoice.

The warranty does not apply in the following cases:

- the serial number of the machine is damaged, illegible;
- natural wear of machine elements or parts has occurred;
- the damage was caused by incorrect use or ignorance of the user;
- the damage was caused by a mechanical injury (impact, fall);
- the device has been incorrectly selected for the type of work performed and has been overloaded;
- the device was dismantled or repaired outside an authorized service center.

STRIMA Sp. z o.o.  
Swadzim, Poznanska str., 54  
62-080 Tarnowo Podgorne,  
POLAND  
TEL: +48 61 8950 950  
FAX: +48 61 8950 951



## EC DECLARATION OF CONFORMITY

As a distributor, we hereby declare that the following product

Product: Round Cutter  
Model: MB-60 (SC-60)

is in conformity with the requirements of the following EC Directives:

This product is designed and manufactured in accordance with the following standards:

- No. of Directive: EC Council Directive 2014/30/EU

Title of Directive: Electromagnetic Compatibility Directive

- No. of Directive: EC Council Directive 2014/35/EU

Title of Directive: Low Voltage Directive

- No. of Directive: EC Council Directive 2006/42/EC

Title of Directive: Machinery Directive

---

Date of sale

---

Signature of the Seller