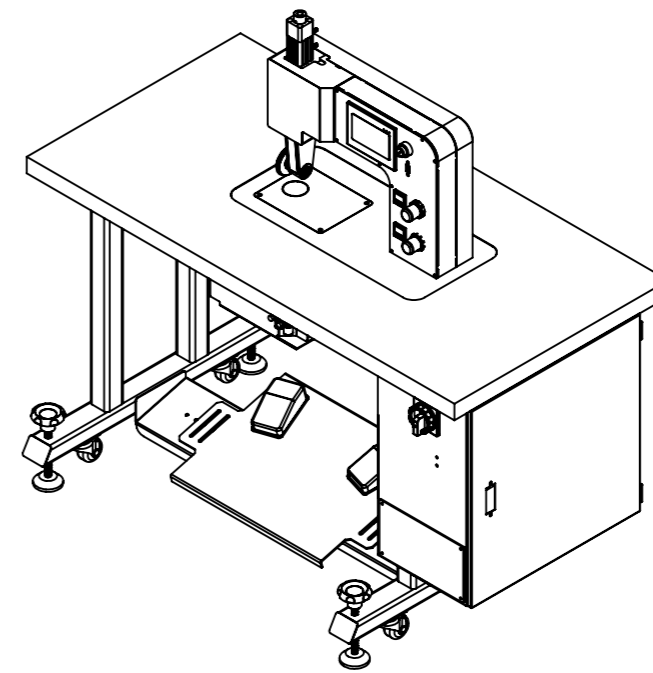
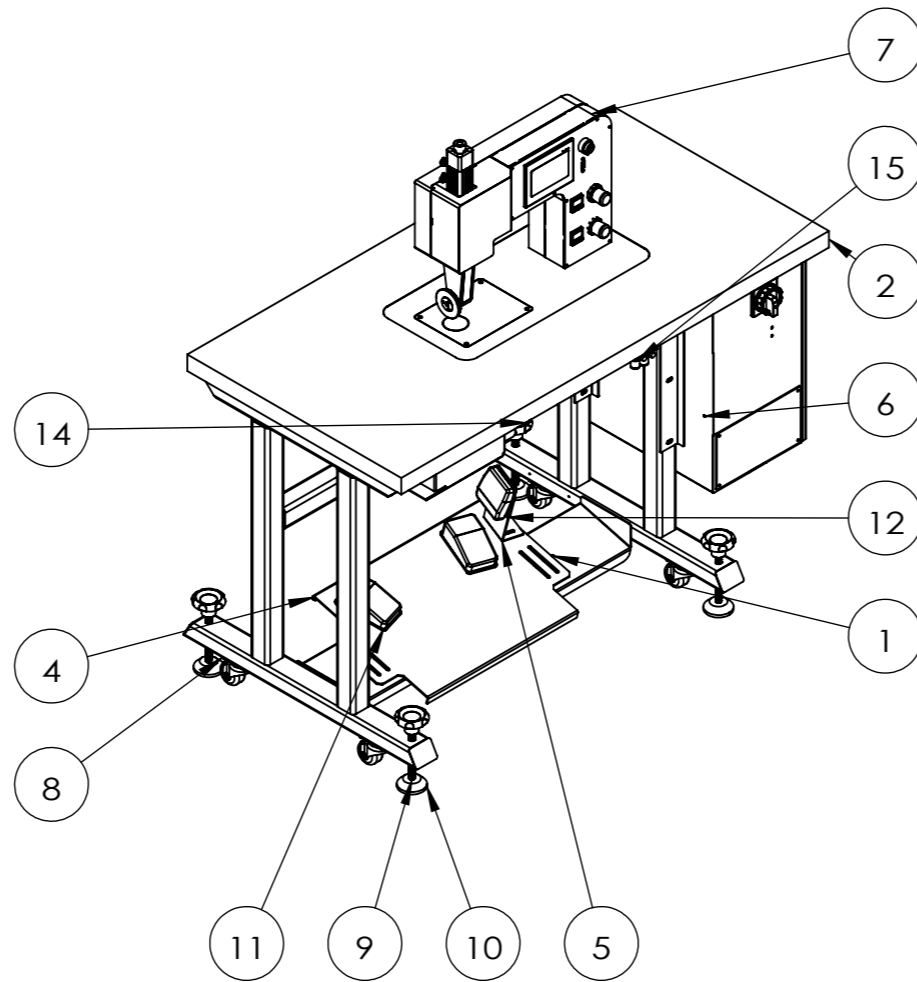
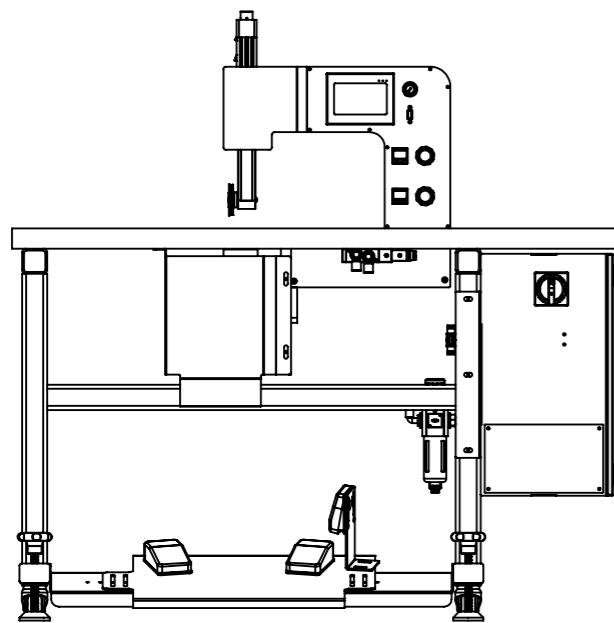
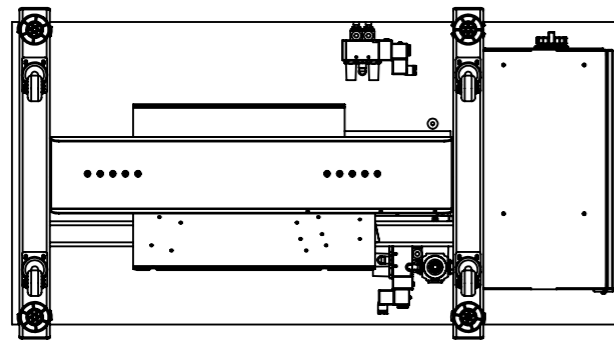
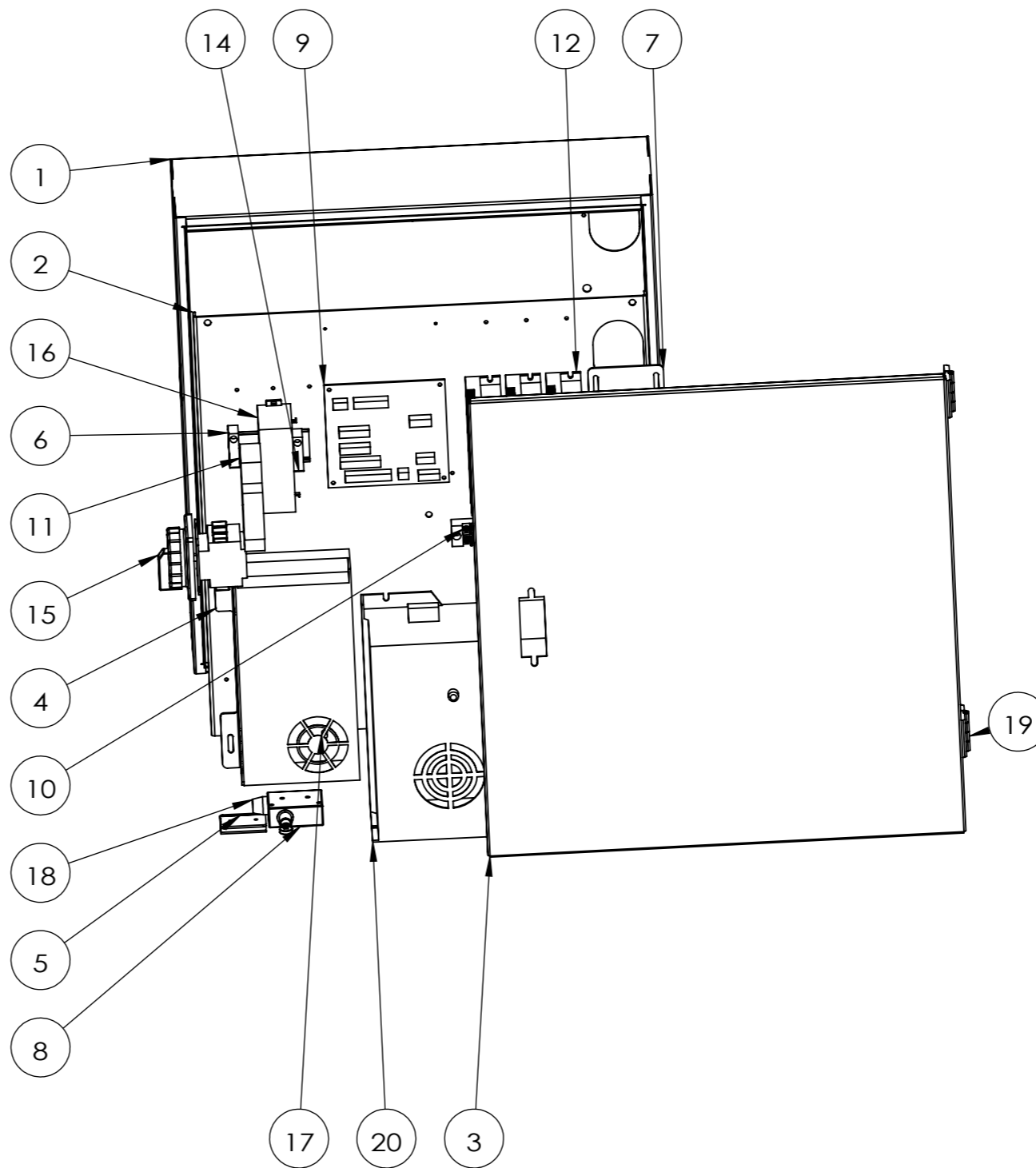
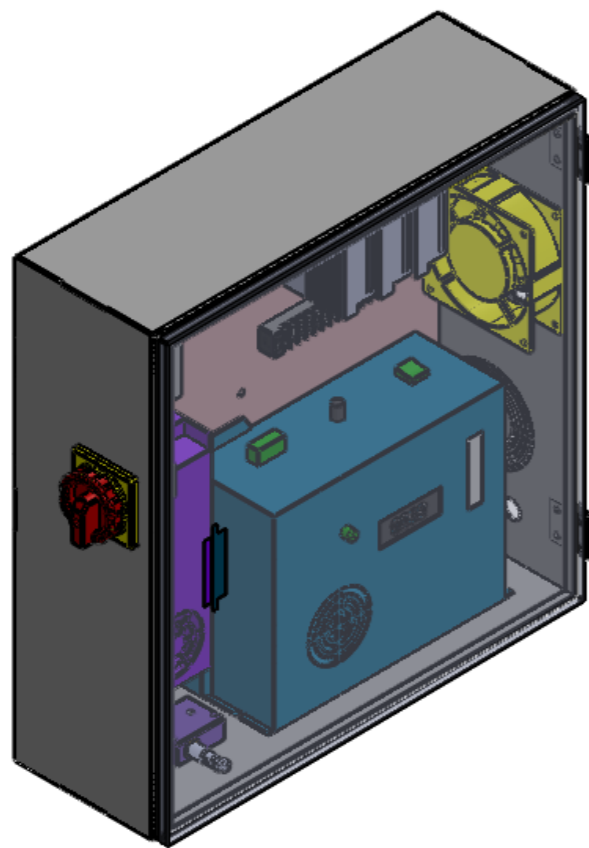
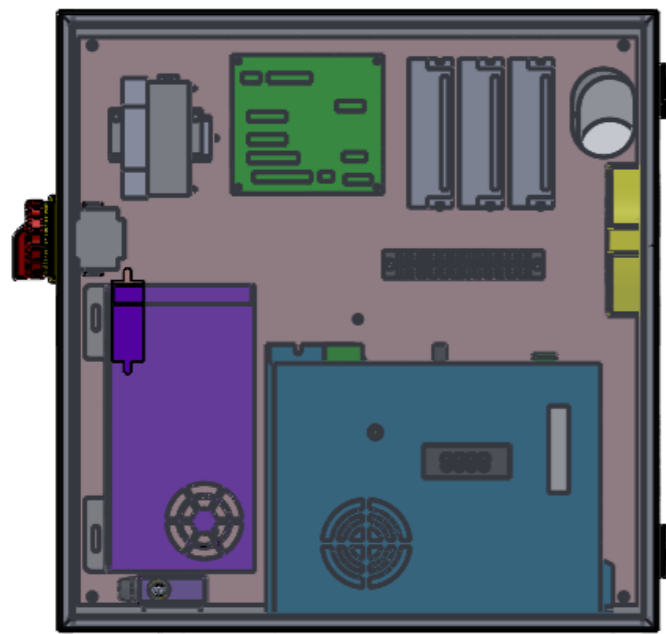


US-511 PARTS BOOK



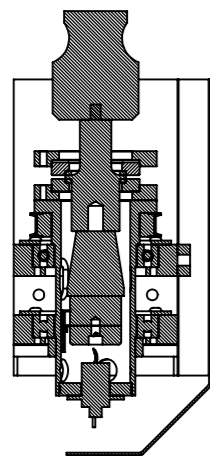
No.	Description	Q-ty
1	AS-511-05	1
2	D09-049-31	1
3	D09-049-42	1
4	D09-043-78	1
5	D09-043-79	1
6	AS-511-15	1
7	AS-511-01	1
8	B03-01-50-222	4
9	D01-004-45T1	4
10	D01-002-79R2	4
11	MDFS-013	2
12	TFS-201	1
13	PHV8A	1
14	GFR300-15-F1-W	1
15	4V310_10	3

Rev.	Approved Date	Remarks	DRAWN Antwen	CHECKED	H&H		
			DESIGNED	APPROVED			
					NO	DRAWING NO. DRAWING NO.US-511	
						ISSUED DATE	

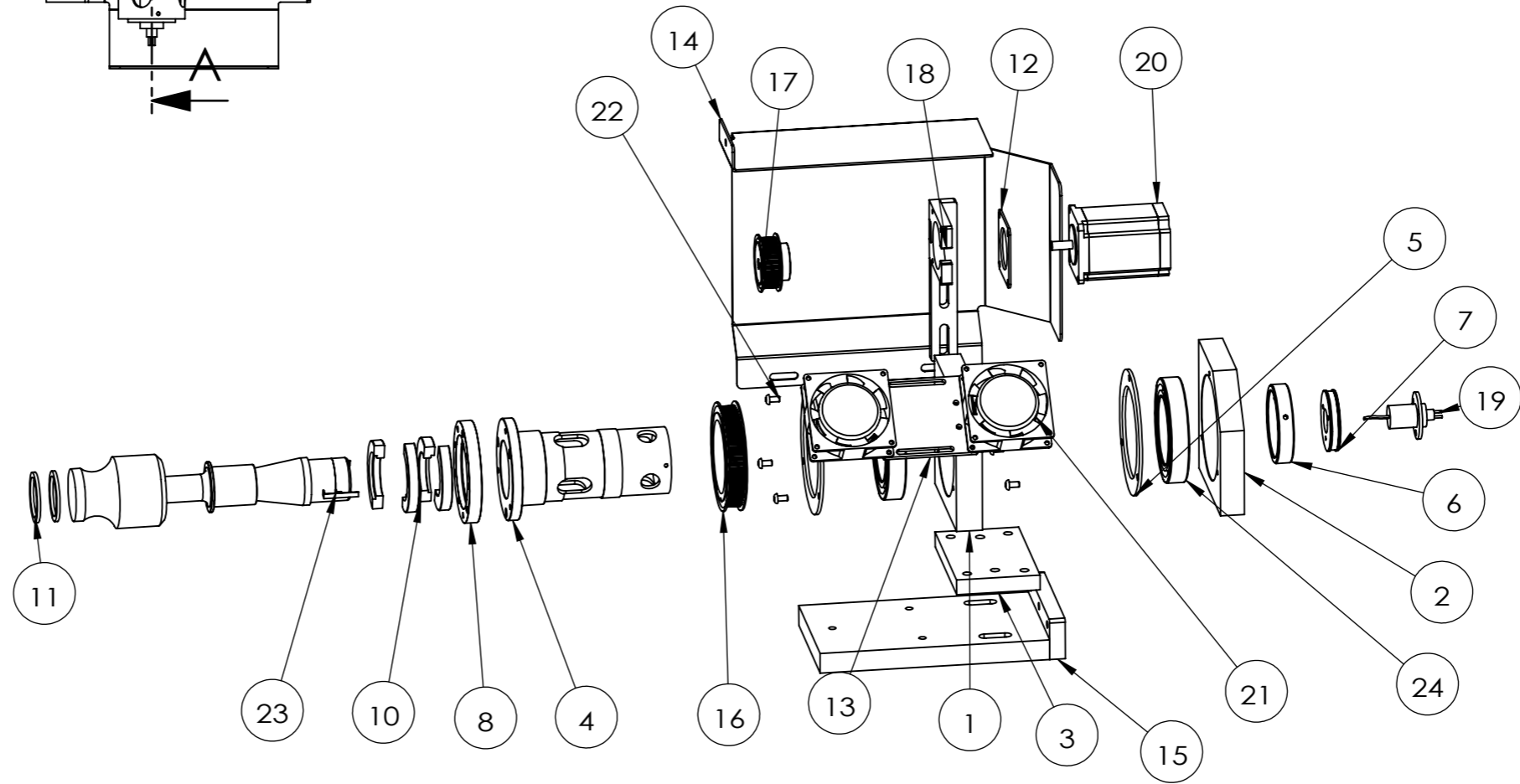
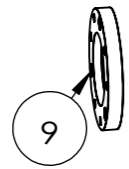
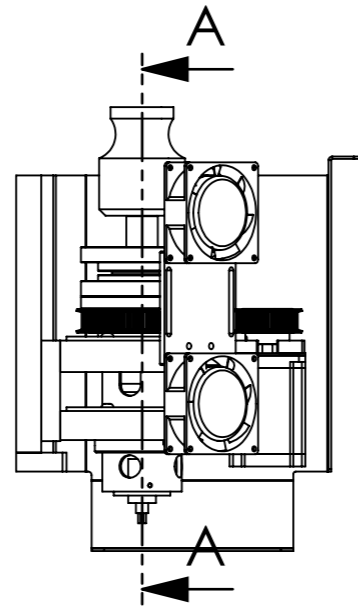


No.	Description	Q-ty
1	AS-511-17	1
2	D09-052-13	1
3	D09-052-14	1
4	D09-027-41R1	1
5	D09-027-42R1	1
6	D07-002-58	1
7	D09-047-28R1	1
8	D09-049-91	1
9	PRT008-PCB01R3	1
10	TB-1512	1
11	DPN C16	1
12	HH542	3
13	1238A	1
14	TBR-F	2
15	3LD2203-7k53t	1
16	FX3GC-32MT	1
17	EPT-S3000 36+24R	1
18	TZ-7311	1
19	HFR06-40	2
20	Ultrasonic control box 8 06	1

Rev.	Approved Date	Remarks	DRAWN Antwen	CHECKED	H&H	
			DESIGNED	APPROVED		
					SCALE	TITLE AS-511-16
					NO	DRAWING NO. DRAWING NO.AS-511-16
						ISSUED DATE

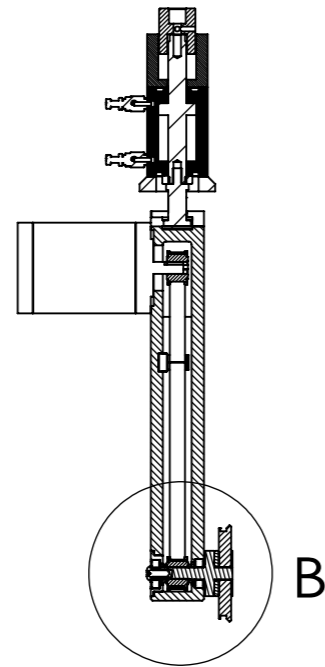
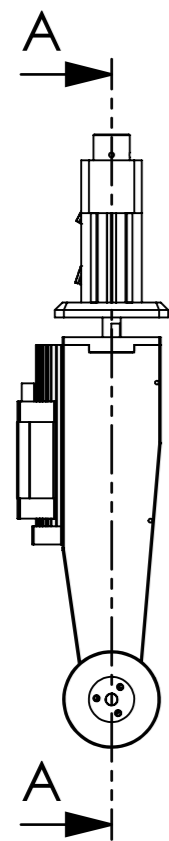


剖面 A-A

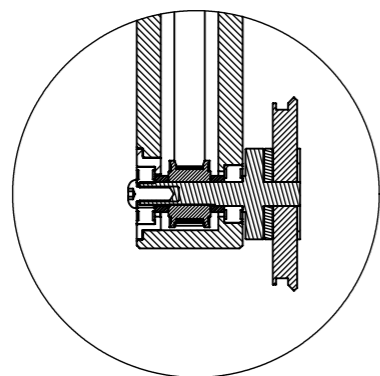


No.	Description	Q-ty
1	D09-043-39R3	1
2	D09-043-41R3	1
3	D09-043-42R1	1
4	D09-043-43R2	1
5	D09-043-44	2
6	D09-043-45R1	1
7	D09-041-46R1	1
8	D09-041-47	1
9	D09-041-48	1
10	D09-041-49	4
11	D09-041-52R2	2
12	D09-047-08	1
13	D09-047-18R1	1
14	D09-049-79	1
15	AS-511-10R2	1
16	XL-60-050-H10	1
17	XL-30-050-H10	1
18	AS-806-15R1	1
19	2 WAY 20A	1
20	60 Motor with key	1
21	ME80252V1-000C-A99	2
22	SCG-M5-L10	6
23	28K Ultrasound Group	1
24	Rolling bearings 6013 GB 276-94	2

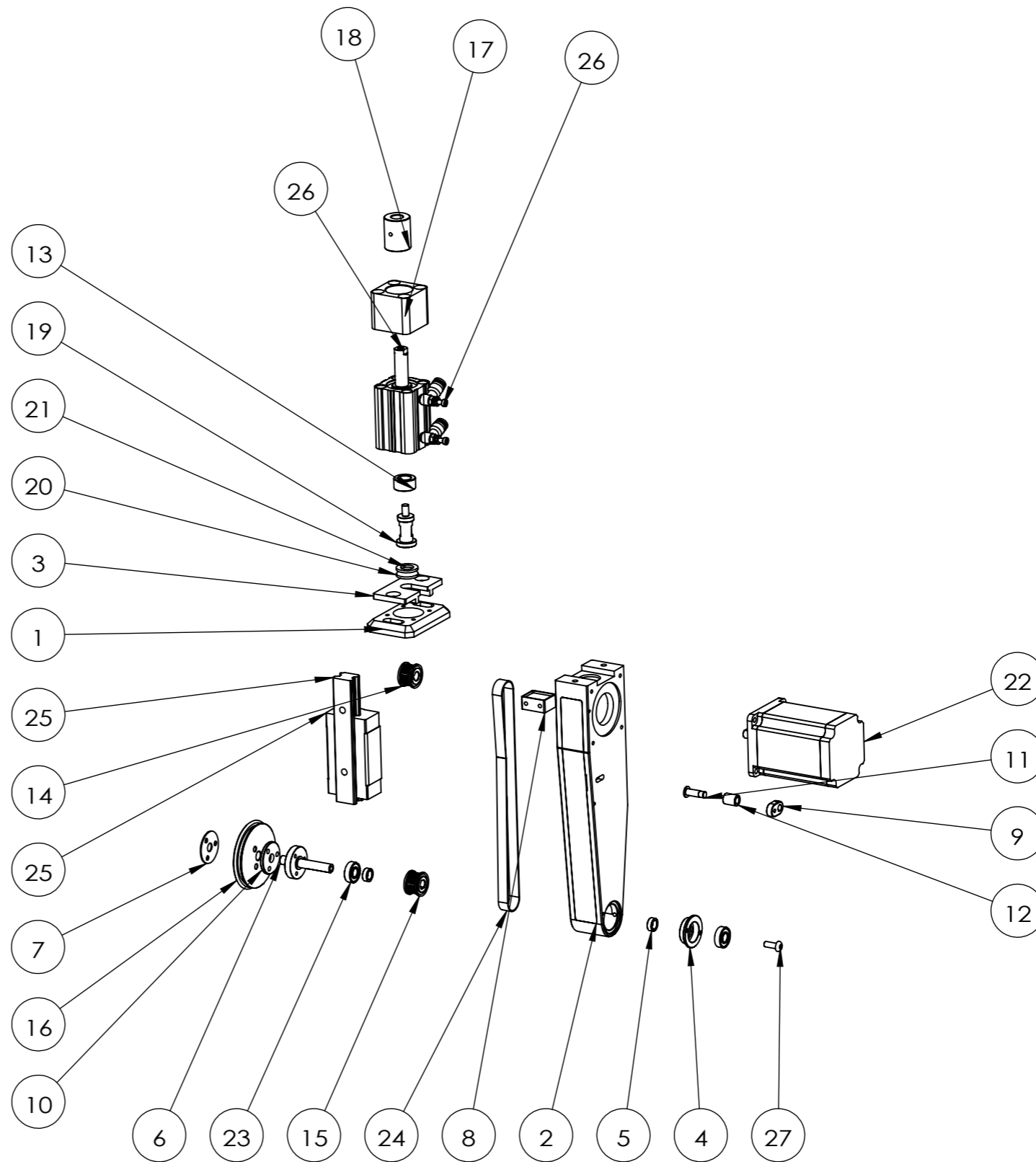
Rev.	Approved Date	Remarks	DRAWN Antwen	CHECKED	H&H		
			DESIGNED	APPROVED			
					NO	DRAWING NO. DRAWING NO.AS-511-14R1	
						ISSUED DATE	



剖面 A-A

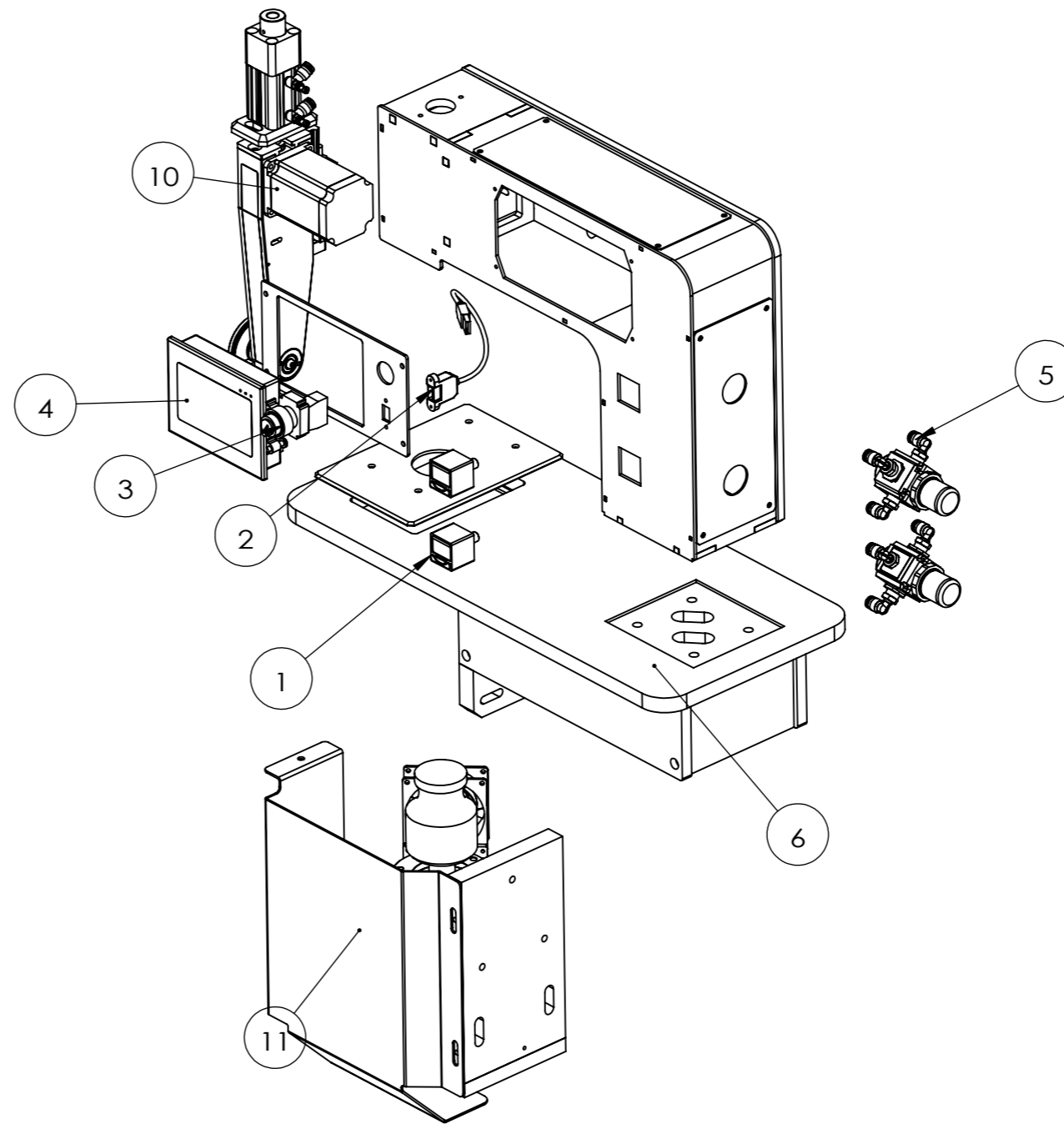
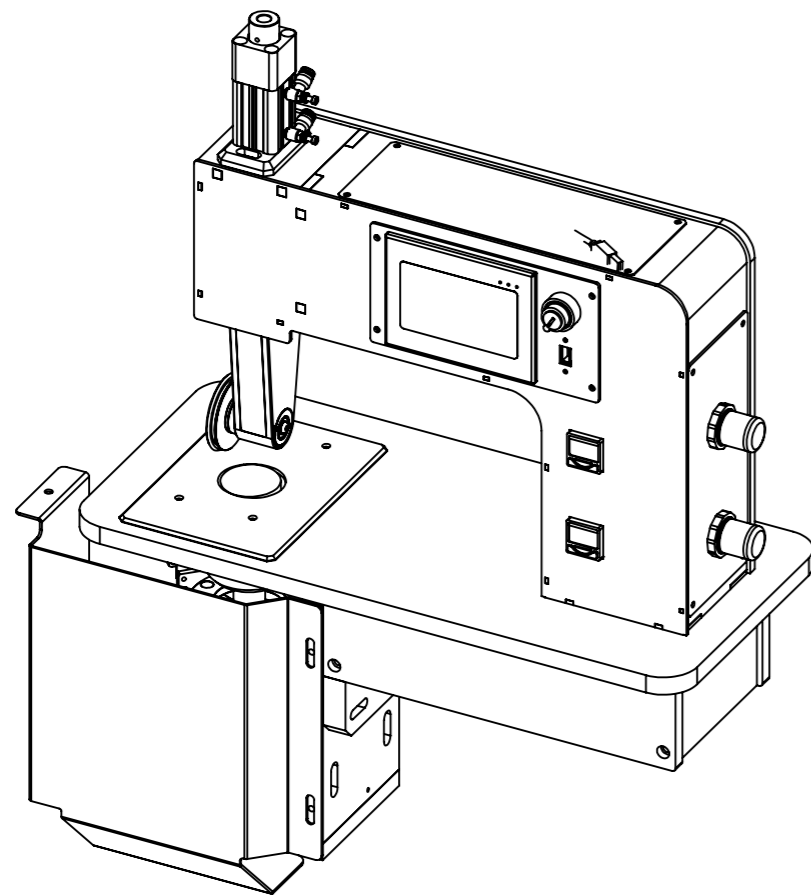


局部视图 B
比例 2:5



No.	Description	Q-ty
1	D09-051-93	1
2	AS-511-09	1
3	D09-049-66	1
4	D09-049-67	1
5	D09-049-68	2
6	D09-049-69	1
7	D09-049-70R1	1
8	D09-049-71	1
9	D09-049-72	1
10	D09-049-73	1
11	D09-049-74	1
12	D09-049-75	1
13	D09-049-76	1
14	D09-049-77	1
15	D09-049-78	1
16	D09-037-46	1
17	D09-046-35	1
18	D09-046-36R1	1
19	D09-046-48	1
20	D09-046-56	1
21	D09-046-57	1
22	60 Motor with key	1
23	B698ZZ	2
24	Belt 1-4 AS-511-02R1	1
25	HHC-H30-1-L220	1
26	ACQD25x30(00) +()	1
27	SCG-M5-L14	1

Rev.	Approved Date	Remarks	DRAWN	CHECKED	H&H	
			Antwen			
			DESIGNED	APPROVED	SCALE	TITLE
						AS-511-02R1
					NO	DRAWING NO.
						DRAWING NO.AS-511-02R1
						ISSUED DATE



No.	Description	Q-ty
1	DPSP110050	2
2	USB	1
3	ZB2-BE102C	1
4	EX3G-43H-24MT-4A D-2K2Z4-485P-S	1
5	GR20008JNK	2
6	AS-511-04R1	1
7	D09-040-56R2	1
8	D09-051-81	2
9	AS-511-18	1
10	AS-511-02R1	1
11	AS-511-14R1	1
12	D09-052-15	1

Rev.	Approved Date	Remarks	DRAWN	CHECKED	H&H		
			Antwen				
			DESIGNED	APPROVED	NO	DRAWING NO.	DRAWING NO.AS-511-01
						ISSUED DATE	