

CLOTH MARKING DRILL

SM-201L

Instruction & Parts List



※ Special Attention:

- * Read this instruction book before use it.
- * 使用前請詳讀本使用說明手冊。
- * Save this instruction book after you read it.
- * 請妥善保存此使用與零件手冊。

A. INSTRUCTIONS:

1. **All Machines are equipped** with Power Cord & Drill 2.0ψ mm x 2 pcs & 1.6ψmm x 2 pcs (1.6ψmm x 1 pcs to be fit on machine) & One Spare #31 Needle Guide for Needle 2.0ψmm. when change needle to be required to change needle & Needle Guide together.
2. **When Start to Operate;** Firstly make sure the voltage of Machine as shown on the nameplate same as the power supply. Wrong Voltage might deteriorate the machines.
3. **HEATING:** Turn Knob #49 when Heats is needed. The temperature can be obtained as high as you turn knob clockwise the pilot lamp will be brighter. Always use the suitable temperature. If overheat please turn #49 Knob Back a little bit.
4. Always **keep machine Horizontally** when in operation.
5. Be sure to wipe off the silicon oil or Sewing Machine Oil from the Drill Needle after or before use.

B.General Safety Information

※ 安全須知

⚠ WARNING

This machine is equipped with a very High Temperature Heating Element. When using Heater, Keep Hands away from the Heating Element #38.

⚠ 注意機器裝有高溫元件，使用時確保不要直接接觸高溫體，以免導致個人的傷害。

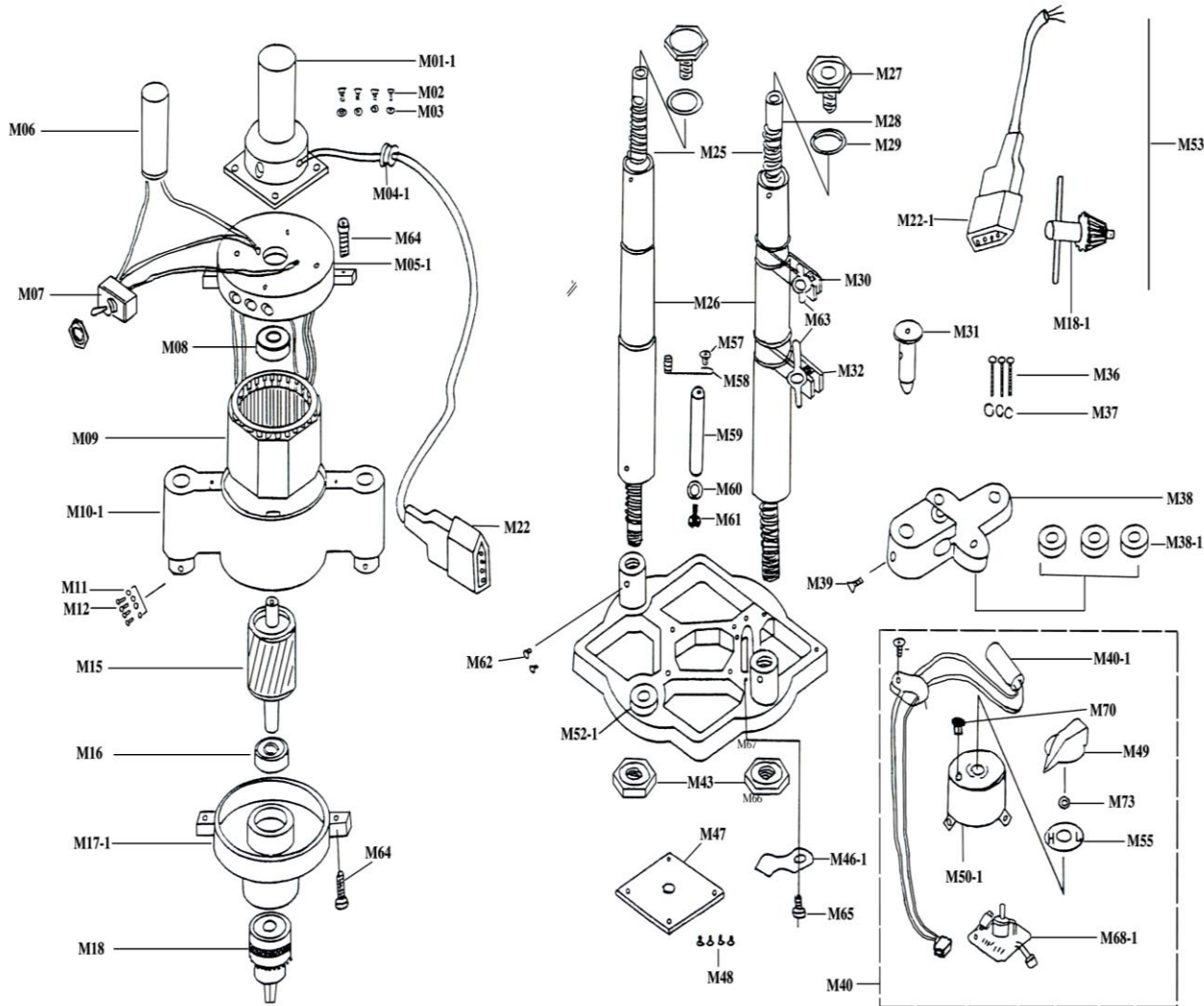
⚠ DO NOT keep the temperature always at "H" position. Because if over 300 °C High temperature easy damage the machine. Test with fabric for correct drill size & Temperature.

溫度調整請勿保持在"H"的刻度，因為超過 300°C 的持續高溫容易損害機器。依布料選用正確鑽針尺寸及溫度。

⚠ Disconnect the power supply from the machine when it is not in use or during Changing Needle, Needle Guide & routine maintenance.

⚠ 當機器停止使用時，轉換針及針導管或平常保養維修時，須拔掉插頭。

Parts Nomenclatures



PART NO.	PARTS NAME	PART NO.	PARTS NAME
M01-1	Handle	M38-1	Insulation Washer
M02	Screw	M39	Screw
M03	Washer	M40	Heater Assembly
M04-1	Rubber Collar	M40-1	Heater 110V,220V,240V
M05-1	Top Cover	M41-1	Base Plate
M06	Condenser 110V or 220V	M43	Nut
M07	Switch	M46-1	Fixing Plate
M08	Bearing	M47	Acrylic Board
M09	Stator,110V,220V,240V	M48	Screw
M10-1	Motor Housing	M49	Turn Knob
M11	Spring Washer	M50-1	Thermo Control Cover
M12	Screw	M52-1	Horizontal Level
M15	Rotor	M53	Drill 1.6 or 2.0 mm
M16	Bearing	M55	Label
M17-1	Lower Cover	M57	Screw
M18	Chuck	M58	Spring
M18-1	Chuck Wrench	M59	Spring Fixed Bar
M22	4P Connector	M60	Spring Washer
M22-1	Power Cord	M61	Screw
M25	Spring	M62	Screw
M26	Telescopic Tube	M63	Screw
M27	Hollow Screw	M64	Screw
M28	Hollow Tube	M65	Screw
M29	O-Ring	M66	Cable Clamp
M30	Clamp Small	M67	Screw
M31	Guide Tube (specify Needle size)	M68-1	Variable Resistor/PC Board
M32	Clamp Large	M70	Sleeve
M36	Screw	M73	Nut
M37	Spring Washer	(#53)	Hollow Needle 2.0,2.5,3.0
M38	Heater Fixed Base	(#53)	Hollow Needle 1.6,1.8,4.0

* Hollow Needles are options. 中空針為選購配件。