

Parts book
High Speed Direct Drive
Automatic Lockstitch Machine
with Built-in Energy Saving Motor
and Needle Feed

Tronic 7 NF

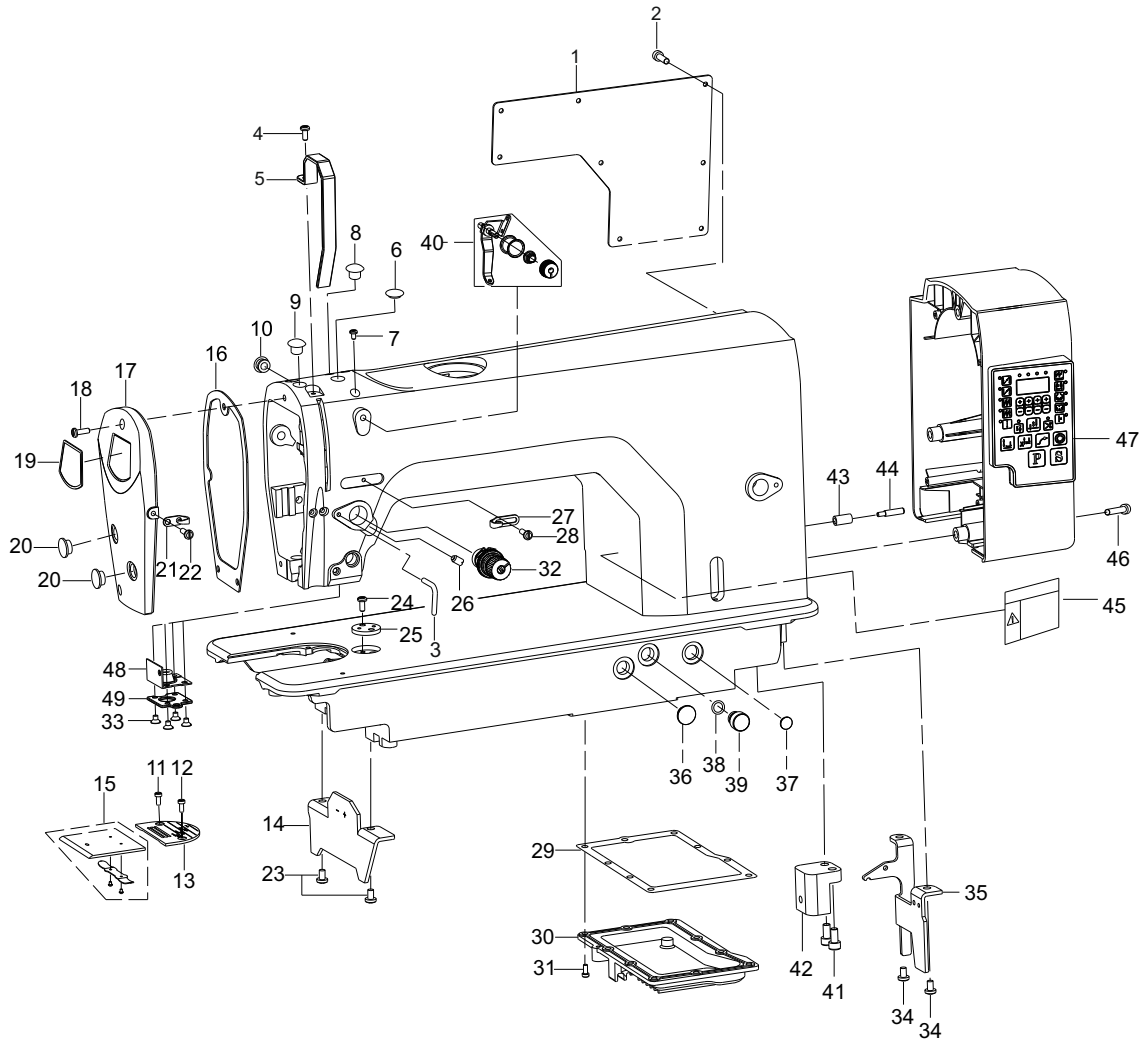
 *texi*

CONTENTS

This parts book is applied to machines with control box model QD605B with machine produced in 2019, serial number starts with 9XXXXXXXX.

1. MACHINE FRAME AND MISCELLANEOUS COMPONENTS	2
2. MAIN SHAFT & THREAD TAKE-UP COVER COMPONENTS	4
3. HORIZONTAL FEED, VERTICAL FEED, AND HOOK DRIVING SHAFT COMPONENTS	6
4. HANG LIFTER & TENSION RELEASE COMPONENTS	9
5. NEEDLE BAR SWING COMPONENTS	11
6. FEED ADJUSTMENT MECHANISM COMPONENTS	13
7. OIL PAN & KNEE LIFTER COMPONENTS	15
8. BOBBIN WINDER COMPONENTS	17
9. AUTOMATIC REVERSE FEED COMPONENTS	18
10. THREAD STAND COMPONENTS	20
11. WIPER COMPONENTS	21
12. THREAD TRIMMER COMPONENTS (ROUND KNIFE)	22
13. OIL LUBRICATION COMPONENTS	25
14. ACCESSORIES	27
15. AUTOMATIC PRESSER FOOT LIFTER COMPONENTS	28

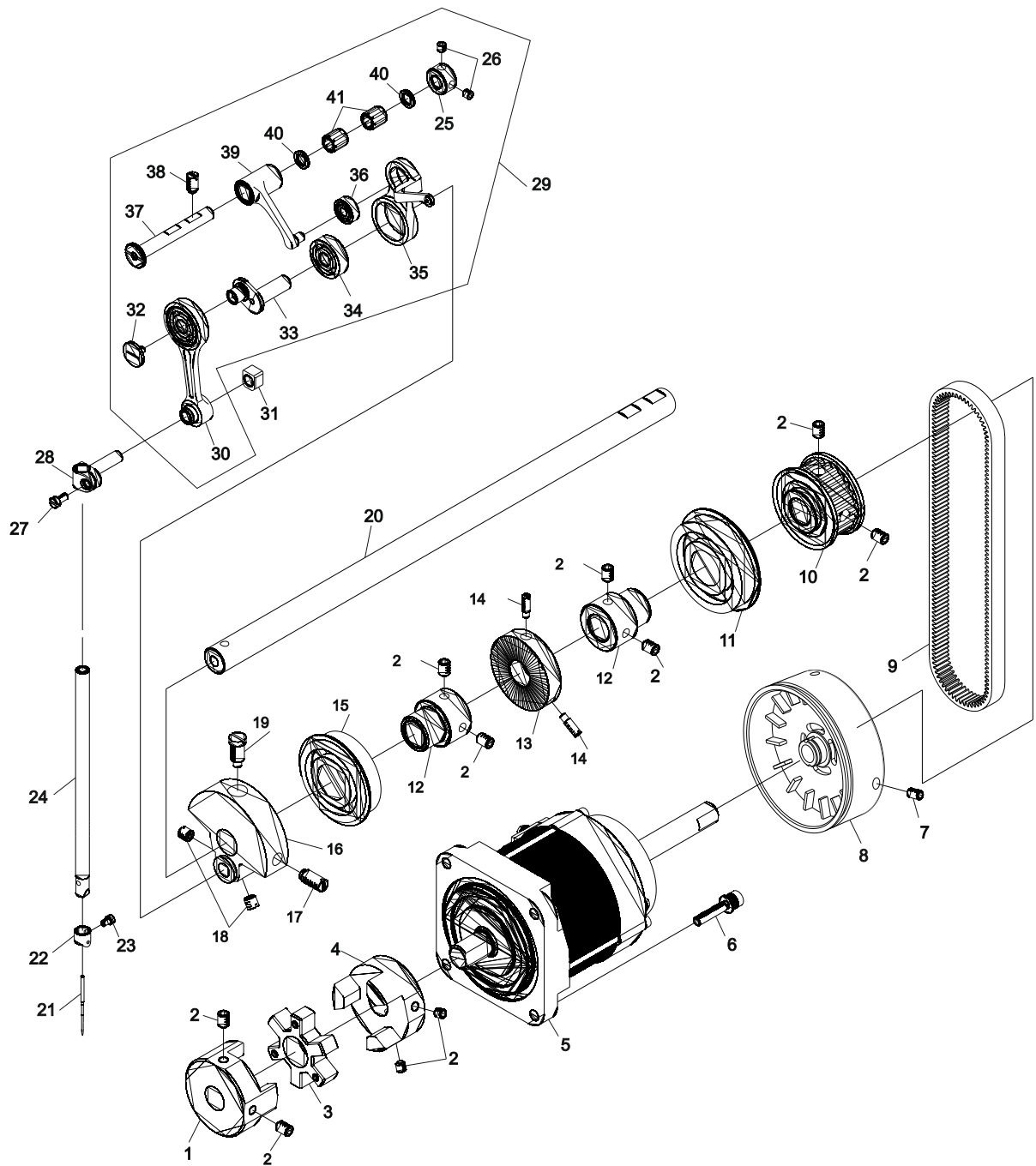
1. MACHINE FRAME AND MISCELLANEOUS COMPONENTS



1. MACHINE FRAME AND MISCELLANEOUS COMPONENTS

No.	Parts No.	Description	Qty
1	20003454	Side plate	1
2	10008972	Screw	7
3	10022343	Arm thread guide	1
4	10008972	Screw	1
5	20003407	Thread take-up lever cover	1
6	10012147	Rubber Plug	1
7	10010900	Screw	1
8	10008943	Rubber Plug	2
9	10012136	Rubber Plug	2
10	10012128	Rubber Plug	1
11	10009005	Screw	1
12	10012463	Screw	1
13	10022847	Needle Plate	1
14	10012135	Front Plate	1
15	10013706	Slide Plate ASM	1
16	10022846	Face Plate Packing	1
17	20006907	Pace Plate	1
18	10008972	Screw	3
19	10027109	Face plate Adorning	1
20	10008977	Rubber Plug	2
21	10008937	Arm Thread Guide B	1
22	10008973	Screw	1
23	10012142	Screw	2
24	10004374	Screw	2
25	10004373	Ruler Stop Seat	1
26	10010593	Screw	1
27	10054575	Arm Thread Guide A	1
28	10008973	Screw	1
29	10012143	Gear Box Packing	1
30	10014505	Gear Box Cover	1
31	10004611	Screw	10
32	10041354	Thread Tension ASM	1
33	10011049	Screw	4
34	10012142	Screw	2
35	10012148	Back Plate	1
36	10012128	Rubber Plug	1
37	10012136	Rubber Plug	1
38	10012139	Rubber Ring	1
39	10012141	Air-discharging	1
40	10012867	Thread Tension Guide	1
41	10011313	Screw	2
42	10022344	Revers Feed Solenoid Base	1
43	10013621	Revers Feed Lever Stopper	1
44	10012149	Screw	1
45	10007516	Safety Label	1
46	10006157	Screw	4
47	10064028 TEXI	Control Box	1
48	10022342	Rulley Cover	1
49	10022848	Plate	1

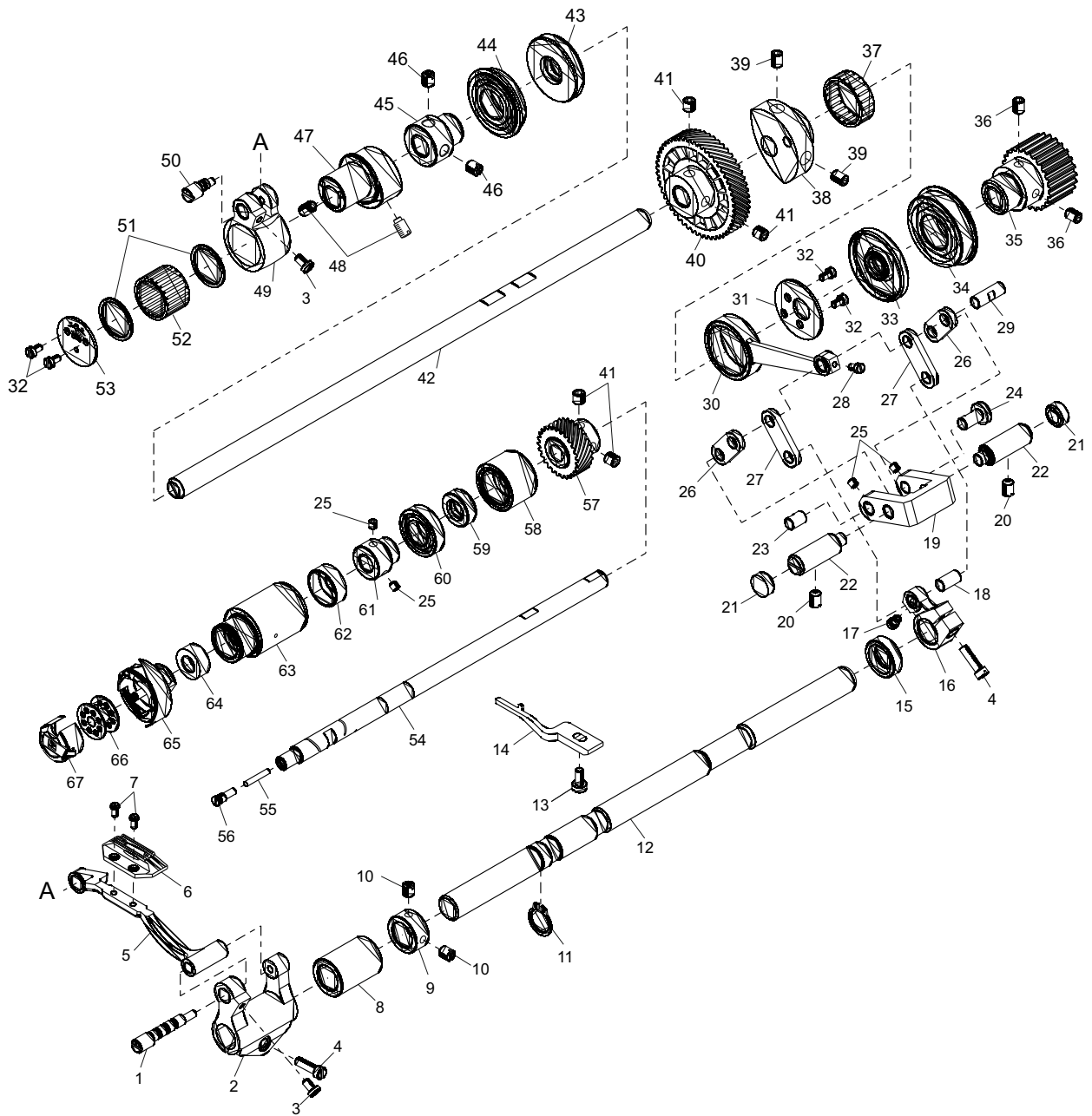
2. MAIN SHAFT & THREAD TAKE-UP COVER COMPONENTS



2. MAIN SHAFT & THREAD TAKE-UP COVER COMPONENTS

No.	Parts No.	Description	Qty
1	10012613	Coupling	1
2	10009187	Screw	10
3	10011227	Rubber ring	1
4	10012615	Coupling	1
5	10064156	Motor	1
6	10006157	Screw ASM.	4
7	10002436	Screw	2
8	20010974	Head wheel ASM.	1
9	10012497	Cog belt	1
10	10006241	Belt pulley	1
11	10025862	Bearing	1
12	10012668	Bearing bush	2
13	10013112	Driving wheel	1
14	10012062	Screw	2
15	10039211	Bearing	1
16	10012607	Crank	1
17	10010082	Screw	1
18	10005020	Screw	2
19	10010545	Screw	1
20	10012663	Main shaft	1
21	*	Needle 135X5 #80	1
22	10013181	Thread guide	1
23	10013182	Screw	1
24	10022347	Needle bar ASM.	1
25	10005745	Closing ring	1
26	10013590	Screw	2
27	10030286	Screw	1
28	10010590	Joint pin	1
29	10022346	Thread take-up lever Asm.	1
30	10005785	Connecting rod ASM.	1
31	10010586	Sliding block	1
32	10010537	Screw	1
33	10023444	Crank	1
34	10003607	Bearing	1
35	10005791	Thread take-up lever	1
36	10003595	Bearing	1
37	10005794	Pin	1
38	10010083	Screw	1
39	10005788	Connecting rod	1
40	10005786	Washer	2
41	10005747	Bearing	2

3. HORIZONTAL FEED, VERTICAL FEED, AND HOOK DRIVING SHAFT COMPONENTS



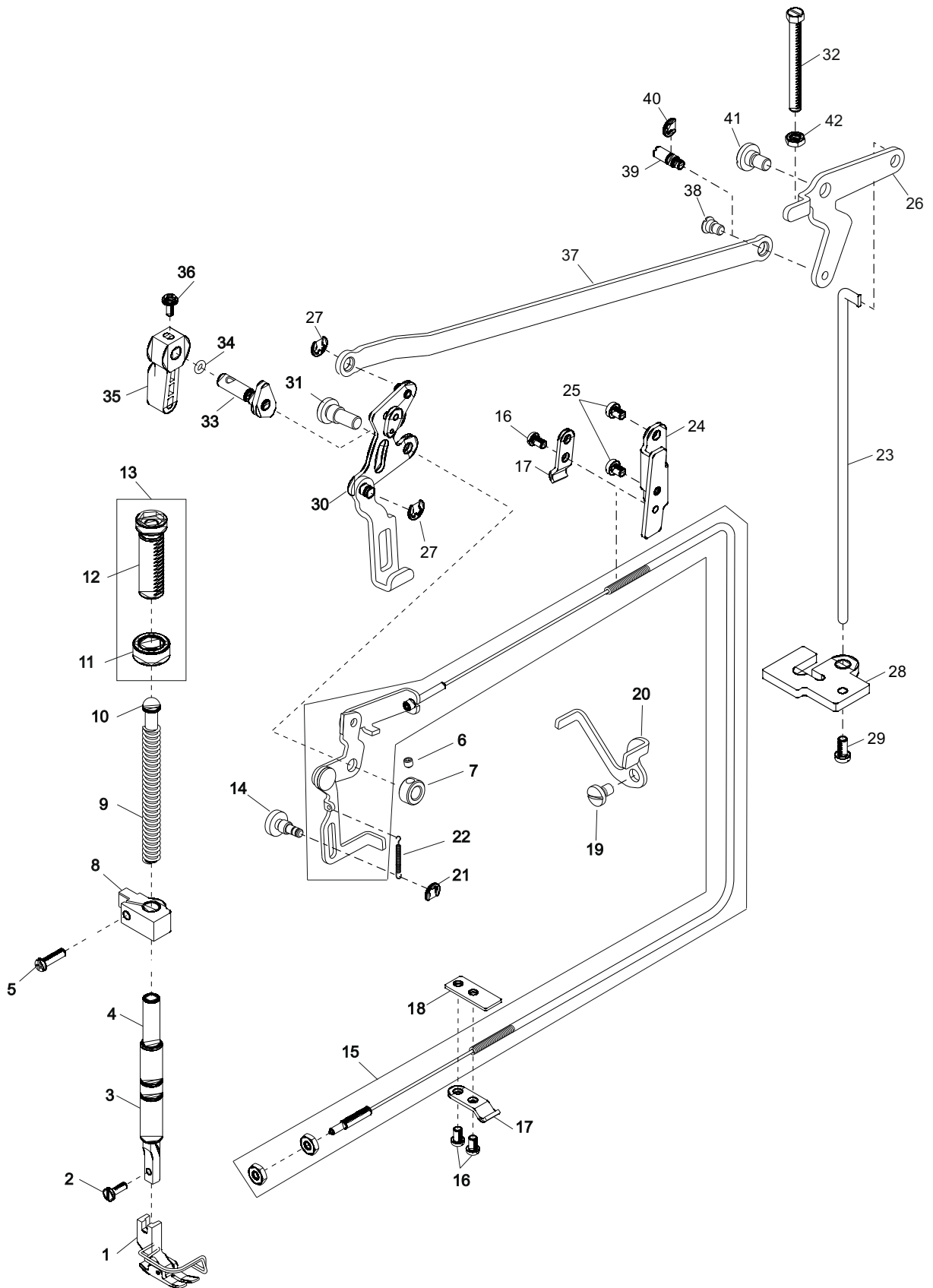
3. HORIZONTAL FEED, VERTICAL FEED, AND HOOK DRIVING SHAFT COMPONENTS

No.	Parts No.	Description	Qty
1	10012490	Pin	1
2	10012540	Feed bar driving crank	1
3	10010074	Screw	2
4	10010095	Screw	2
5	10012531	Feed bar ASM.	1
6	10022849	Feed dog	1
7	10010099	Screw	2
8	10012494	Shaft sleeve	1
9	10006134	Closing ring	1
10	10012162	Screw	2
11	10003290	Closing ring	1
12	10032116	Feed rocker shaft	1
13	10010066	Screw	1
14	10012530	Positioning finger	1
15	10012536	Oil seal	1
16	10012492	Crank	1
17	10013015	Screw	1
18	10035639	Pin	1
19	10005746	Feed adjusting	1
20	10010506	Screw	2
21	10012495	Rubber plug	2
22	10035633	Pin	2
23	10035637	Pin	1
24	10035645	Pin	1
25	10013590	Screw	5
26	10035641	Connecting plate	2
27	10035635	Connecting plate	2
28	10010071	Screw	1
29	10035643	Pin	1
30	10005787	Connecting rod	1
31	10005742	Cover plate	1
32	10010643	Screw	4
33	10012538	Oil seal	1
34	10025882	Bearing	1
35	10012535	Gear	1
36	10009187	Screw	2

3. HORIZONTAL FEED, VERTICAL FEED, AND HOOK DRIVING SHAFT COMPONENTS

No.	Parts No.	Description	Qty
37	10005792	Bearing	1
38	10005740	Feed drive eccentric cam	1
39	10010678	Screw	2
40	10012462	Gear	1
41	10008862	Screw	2
42	10012489	Feed driving shaft	1
43	10012533	Oil seal	1
44	10026364	Bearing	1
45	10012501	Bearing bush	1
46	10010065	Screw	2
47	10006135	Cam	1
48	10010083	Screw	2
49	10005789	Crank	1
50	10012498	Pin	1
51	10005790	Closing ring	2
52	10005744	Bearing	1
53	10012503	Cover plate	1
54	10012534	Hook driving shaft	1
55	10010063	Oil wick	1
56	10010064	Screw	1
57	10012554	Gear	1
58	10012678	Shaft sleeve	1
59	10012423	Oil seal	1
60	10026221	Bearing	1
61	10012585	Bearing bush	1
62	10014503	Oil seal	1
63	10014463	Shaft sleeve	1
64	10013029	Oil seal	1
65	10013965	Hook	1
66	10025484	Bobbin	1
67	10006924	Bobbin case	1

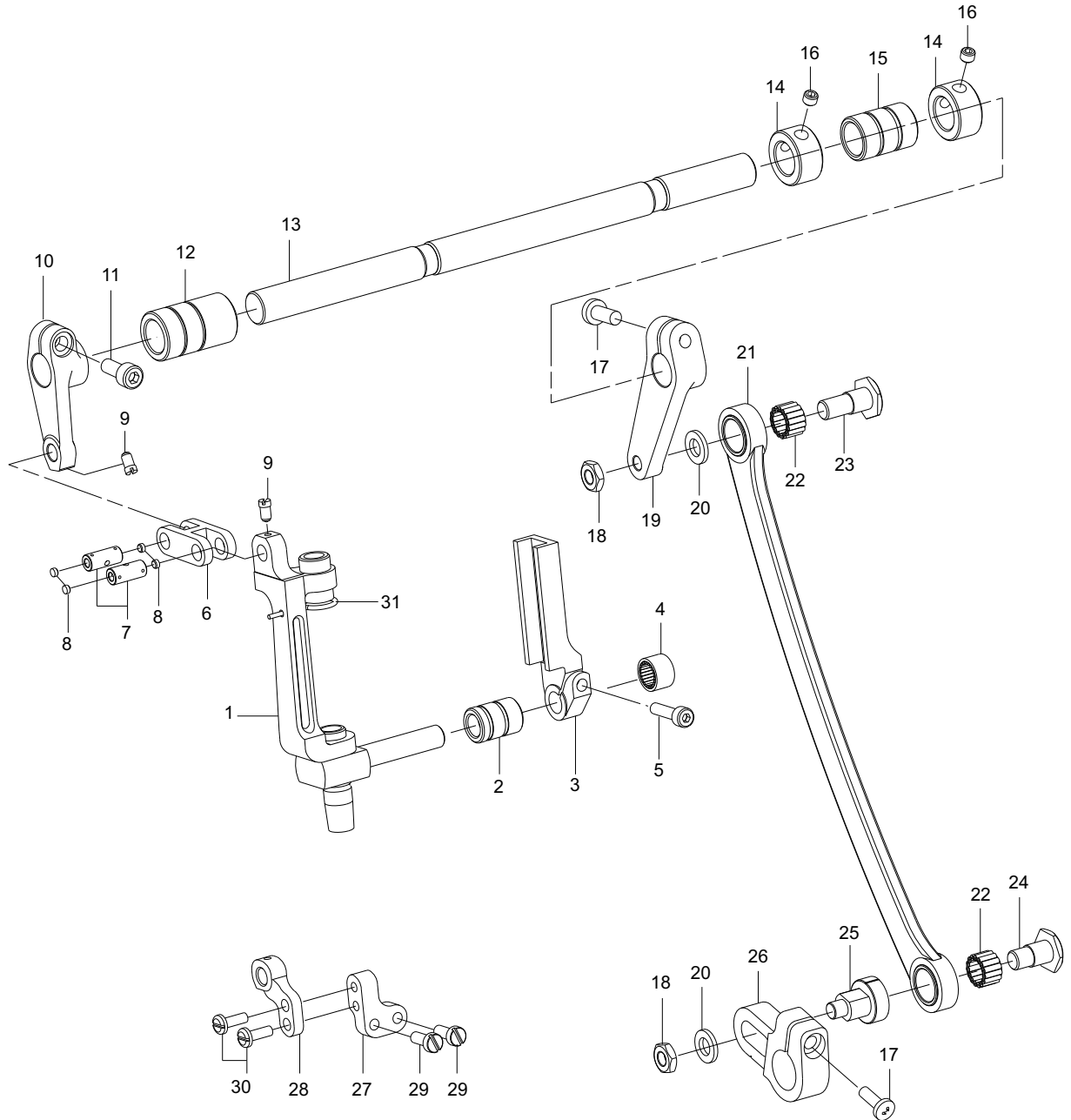
4. HANG LIFTER & TENSION RELEASE COMPONENTS



4. HANG LIFTER & TENSION RELEASE COMPONENTS

No.	Parts No.	Description	Qty
1	10022352	Presser foot ASM.	1
2	10010650	Screw	1
3	10014141	Bearing support	1
4	10013328	Presser bar	1
5	10013567	Screw	1
6	10011887	Screw	2
7	10013375	Collar	1
8	10022349	Presser guide bar bracket	1
9	10004473	Spring	1
10	10012426	Presser guide bar	1
11	10011023	Nut	1
12	10013325	Screw	1
13	10021342	Screw ASM.	1
14	10022351	Pin	1
15	10022855	Loosing line ASM.	1
16	10012130	Screw	3
17	10012445	Wire holder	2
18	10033588	Base plate	1
19	10012181	Screw	1
20	10022854	Tension Release Return	1
21	10003248	Closing ring	1
22	10022508	Spring	1
23	10030397	Connecting rod vertical	1
24	10005881	Fixing shutter	1
25	10012621	Screw	2
26	10022853	Lifting lever link	1
27	10010649	Closing ring	2
28	10012429	Guide plate	1
29	10012637	Screw	1
30	10022851	Hand lifter link ASM.	1
31	10022350	Pin	1
32	10012633	Screw	1
33	10013809	Hand lifter CAM ASM.	1
34	10010027	O-ring	1
35	10011064	Hand lifter	1
36	10010016	Screw	1
37	10022852	Lifting lever connecting rod	1
38	10005882	Screw	1
39	10013109	Screw	1
40	10013038	Closing ring	1
41	10012430	Screw	1
42	10012625	Nut	1

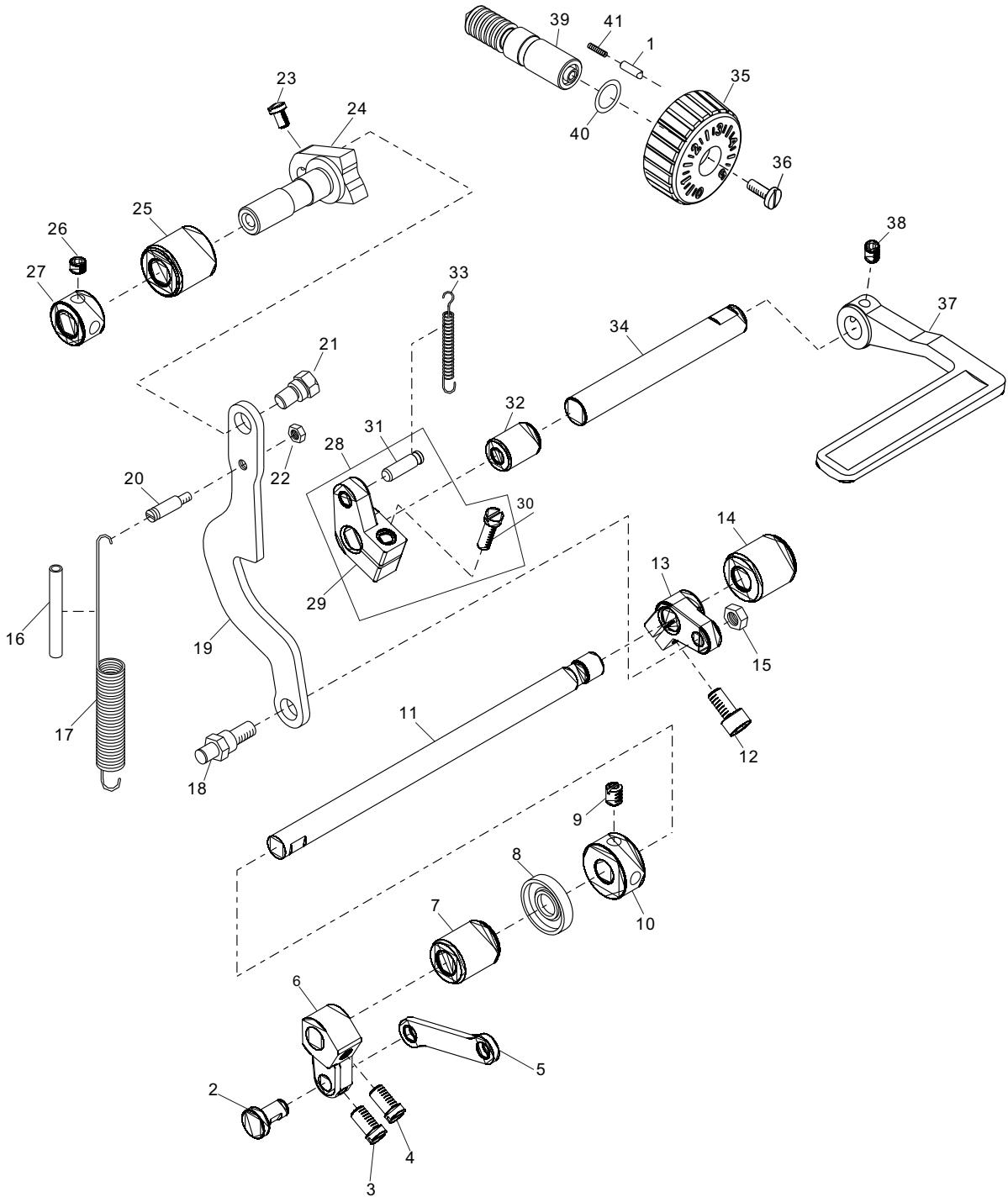
5. NEEDLE BAR SWING COMPONENTS



5. NEEDLE BAR SWING COMPONENTS

No.	Parts No.	Description	Qty
1	10022509	Rocking base ASM	1
2	10022340	Bushing	1
3	10023449	Slide block guide	1
4	10003549	Bearing	1
5	10014395	Screw	1
6	10023454	Driving link	1
7	10022856	Link pin	2
8	10022363	Plug	4
9	10022354	Screw	2
10	10022355	Driving crank front	1
11	10004611	Screw	1
12	10022338	Bushing	1
13	10022356	Needle feed shaft	1
14	10011284	Collar	2
15	10022339	Bushing	1
16	10012014	Screw	2
17	10022858	Screw	2
18	10012855	Nut	2
19	10022357	Needle feed rod	1
20	10000836	Washer	2
21	10022353	Needle feed rod	1
22	10014106	Bearing	1
23	10022358	Screw	1
24	10022858	Screw	1
25	10022857	Screw	1
26	10022360	Needle feed arm	1
27	10022362	Guide	1
28	10022361	Guide	1
29	10011794	Screw	2
30	10012507	Screw	2
31	10008064	Wick	1

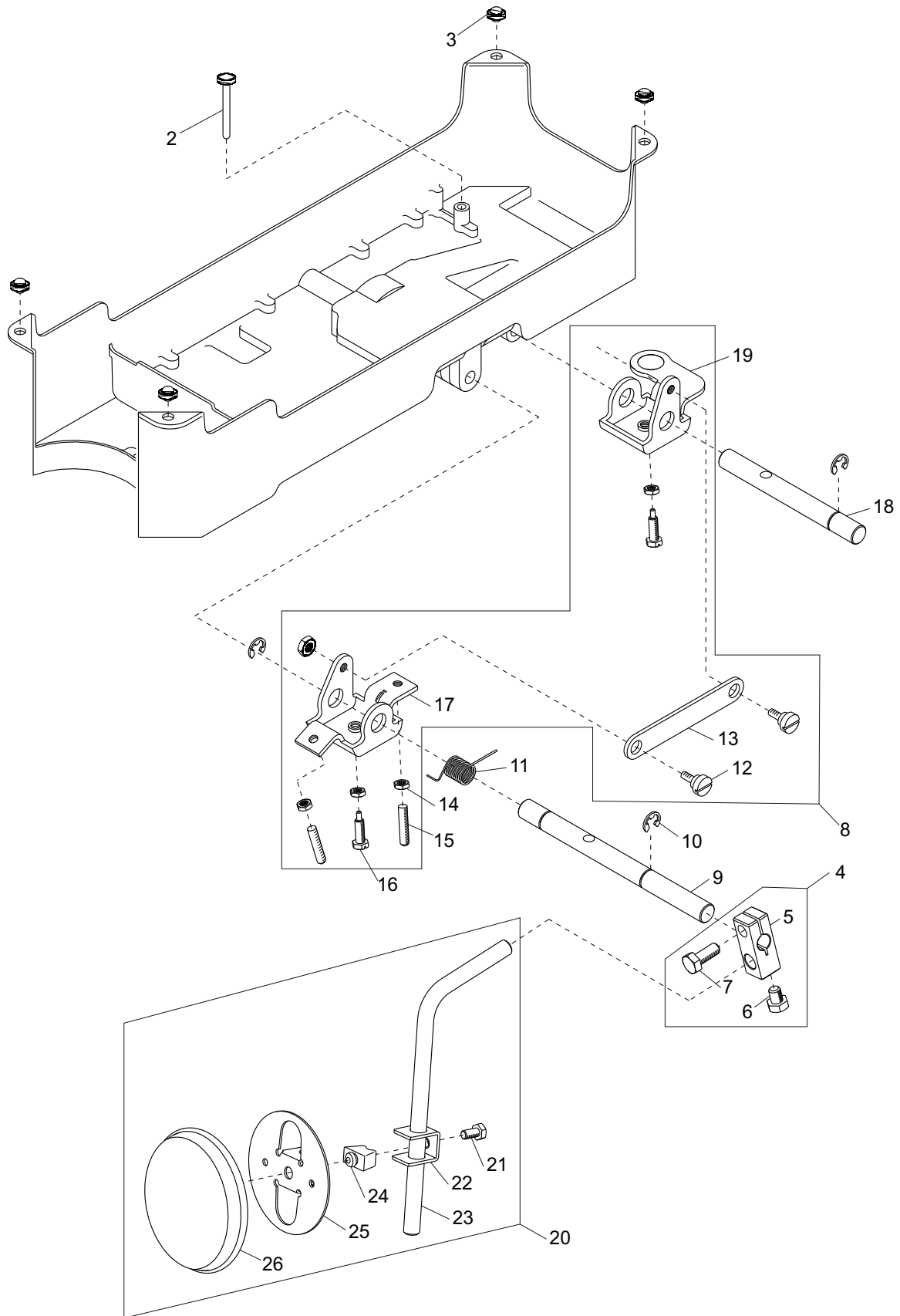
6. FEED ADJUSTMENT MECHANISM COMPONENTS



6. FEED ADJUSTMENT MECHANISM COMPONENTS

No.	Parts No.	Description	Qty
1	10013870	Pin	1
2	10026507	Connecting pin	1
3	10010092	Screw	1
4	10010092	Screw	1
5	10026508	Connecting plate	1
6	10026506	Crank	1
7	10012629	Shaft sleeve	1
8	10012622	Oil seal	1
9	10003921	Screw	2
10	10012627	Closing ring	1
11	10013867	Adjusting shaft	1
12	10010095	Screw	1
13	10012424	Crank	1
14	10012586	Shaft sleeve	1
15	10012620	Nut	1
16	10007795	Oil pipe	1
17	10031476	Spring	1
18	10012418	Connecting pin	1
19	10012680	Connecting plate	1
20	10012635	Pin	1
21	10013866	Pin	1
22	10010106	Nut	1
23	10010643	Screw	2
24	10012583	Adjustor	1
25	10012626	Shaft sleeve	1
26	10008862	Screw	2
27	10012428	Closing ring	1
28	20000150	Crank ASM.	1
29	10012638	Crank	1
30	10010095	Screw	1
31	10010287	Pin	1
32	10012578	Shaft sleeve	1
33	10012676	Spring	1
34	10012419	Reverse feed shaft	1
35	10014418	Knob	1
36	10010281	Screw	1
37	20003414	Reverse feed spanner	1
38	10009187	Screw	1
39	10010286	Screw bolt	1
40	10010240	O-ring	1
41	10013869	Spring	1

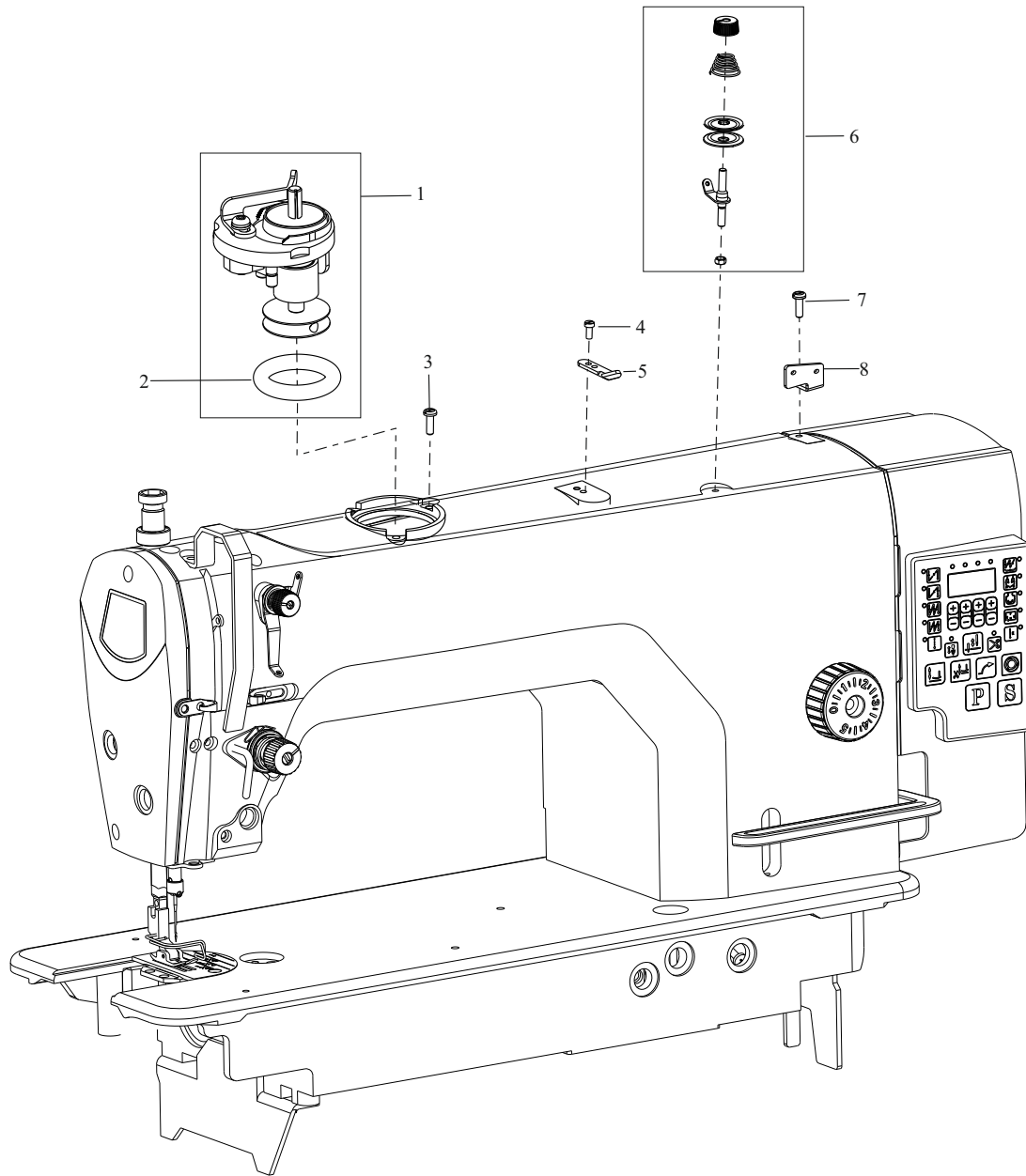
7. OIL PAN & KNEE LIFTER COMPONENTS



7. OIL PAN & KNEE LIFTER COMPONENTS

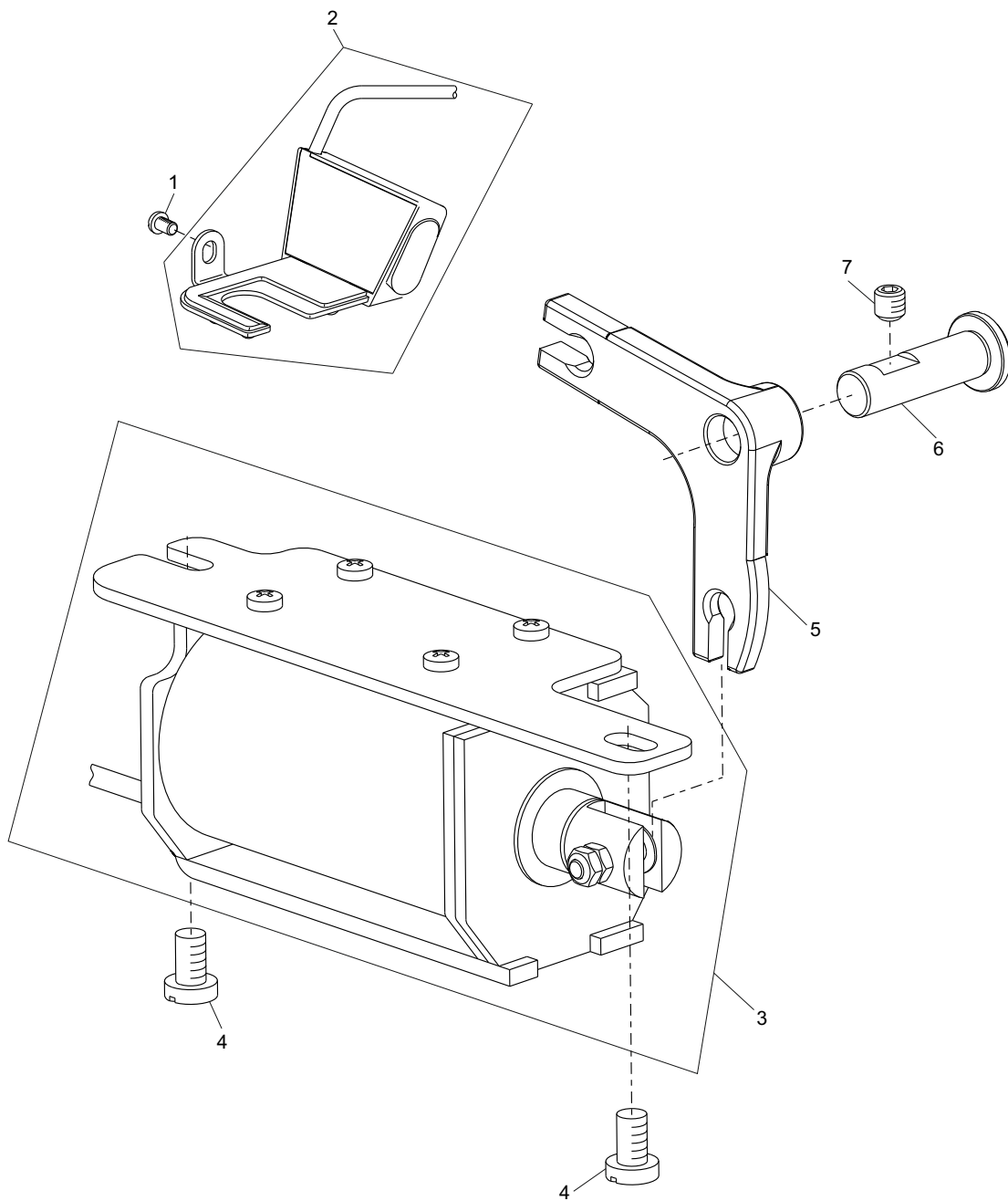
No.	Parts No.	Description	Qty
1	10012632	Oil pan	1
2	10012631	Knee lifter presser rod	1
3	10013102	Head gasket	4
4	10002562	Bracket ASM	1
5	10003896	Bracket	1
6	10002610	Screw	1
7	10002613	Screw	1
8	10024632	Connecting rod ASM	1
9	10008450	Knee pressing shaft I	1
10	10002559	Snap ring	3
11	10012677	Spring	1
12	10008465	Screw	2
13	10008464	Connecting plate	1
14	10003890	Nut	6
15	10003895	Screw	2
16	10003898	Screw	2
17	10008463	Connecting rod I	1
18	10008466	Knee pressing shaft II	1
19	10008383	Connecting rod II	1
20	10009985	Knee pressing plate ASM	1
21	10003894	Screw	1
22	10003897	Knee pressing plate holder	1
23	10003901	Knee pressing plate rod	1
24	10003900	Knee pressing plate rubber	1
25	10003891	Knee pressing plate	1
26	10004223	Knee pressing cover	1

8. BOBBIN WINDER COMPONENTS



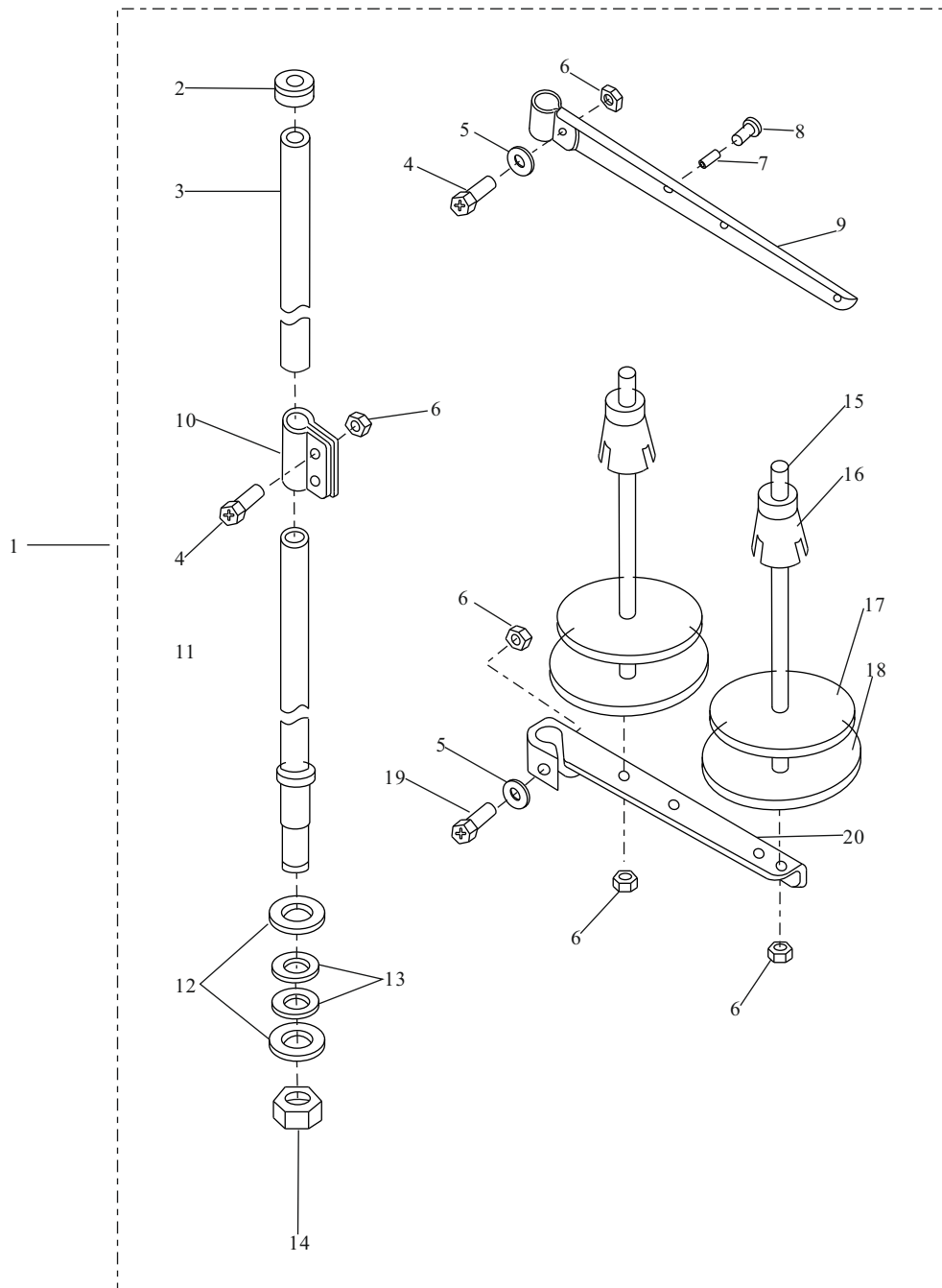
No.	Parts No.	Description	Qty
1	10029803	Bobbin winder ASM	1
2	10008773	Rubber ring	1
3	10004380	Screw	3
4	10050423	Screw	2
5	10011149	Thread cutter	1
6	10013064	Bobbin thread tension ASM	1
7	10011158	Screw	1
8	10011200	Thread guide plate	1

9. AUTOMATIC REVERSE FEED COMPONENTS



No.	Parts No.	Description	Qty
1	10008934	Screw	1
2	10038021	Option switch ASM	1
3	10034506	Electromagnet ASM	1
4	10012142	Screw	2
5	10012587	Washer	1
6	10012628	Crank pin	1
7	10013538	Screw	1

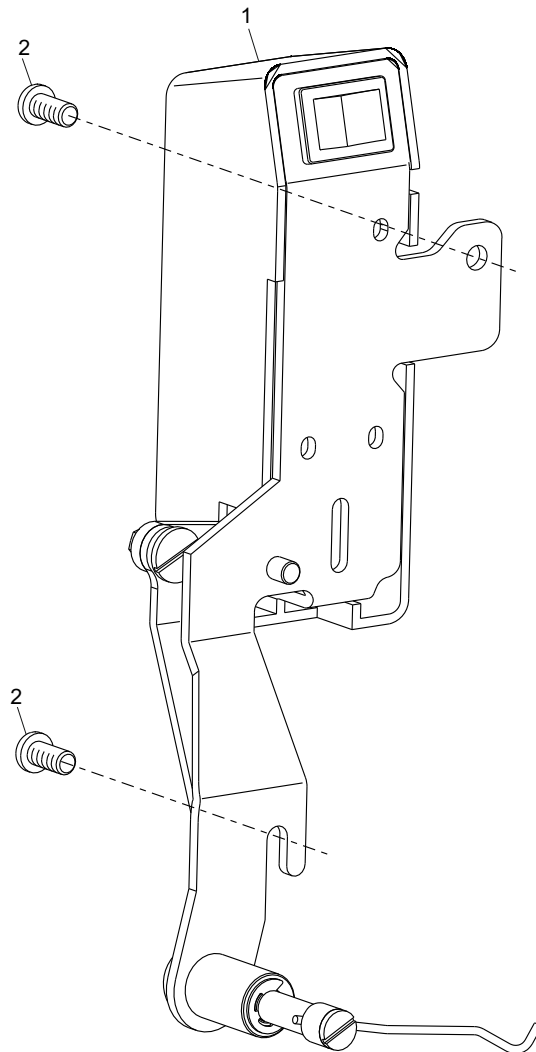
10. THREAD STAND COMPONENTS



10. THREAD STAND COMPONENTS

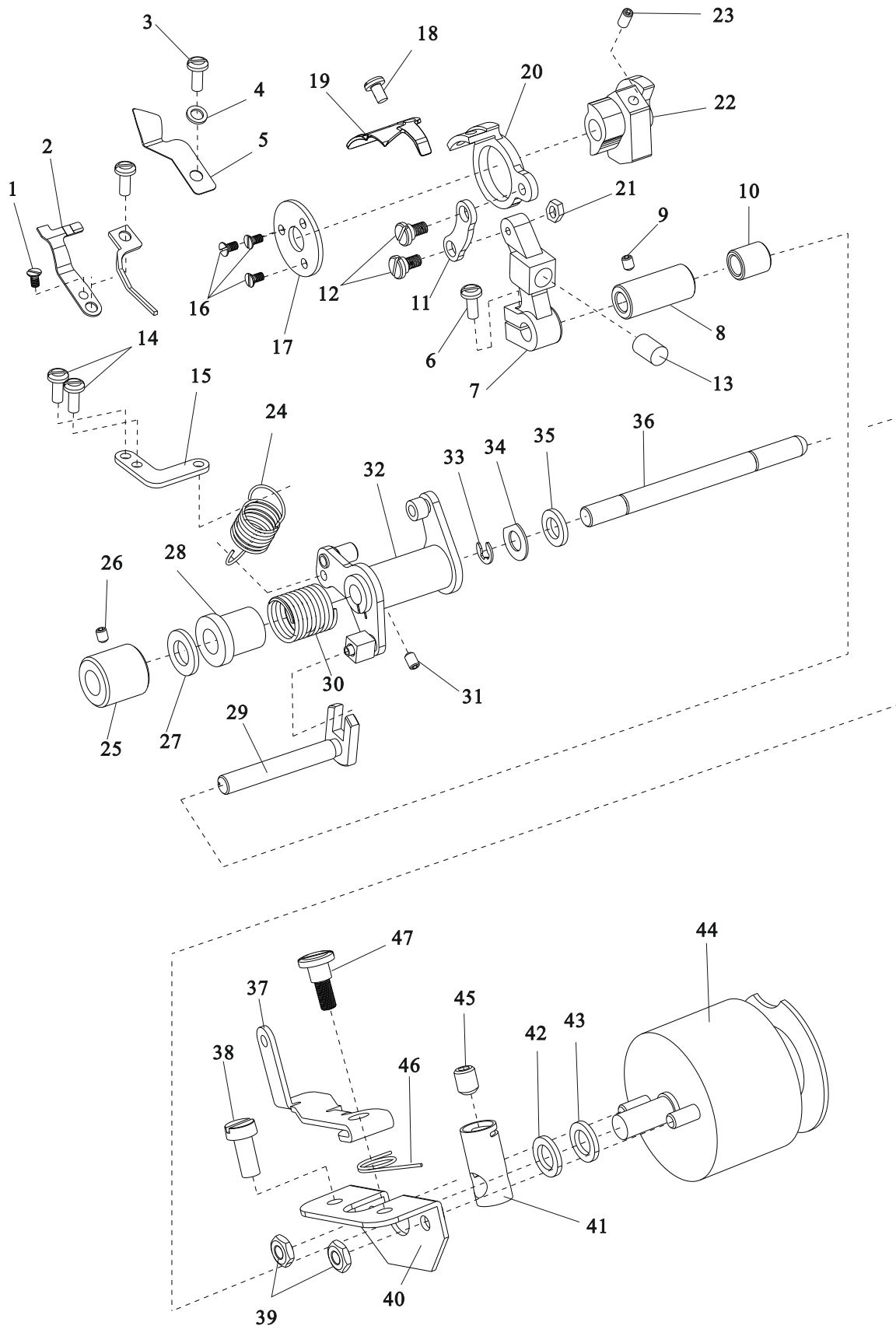
No.	Parts No.	Description	Qty
1	10007130	Thread Stand ASM	
2	10004282	Column Cap	1
3	10004293	Column Pipe(Upper)	1
4	10003301	Screw	2
5	10003022	Washer	5
6	10002953	Nut	5
7	10004289	Thread Guide Pipe	1
8	10004285	Thread Guide Bushing	1
9	10004298	Thread Hanger (Upper)	1
10	10004286	Column Pipe Connector	1
11	10004291	Column Pipe (Lower)	1
12	10004290	Washer 16×30×1.5	2
13	10004295	Washer 16.5×27.5×3	2
14	10002953	Nut	1
15	10004288	Spool	2
16	10004287	Spool Cushion	2
17	10004281	Soft Cushion Of Thread Plate	2
18	10004299	Thread Plate	2
19	10003312	Screw	1
20	10004284	Thread Hanger (Lower)	1

11. WIPER COMPONENTS



No.	Parts No.	Description	Qty
1	10034507	Wiper ASM	1
2	10008972	Screw	2

12. THREAD TRIMMER COMPONENTS (ROUND KNIFE)



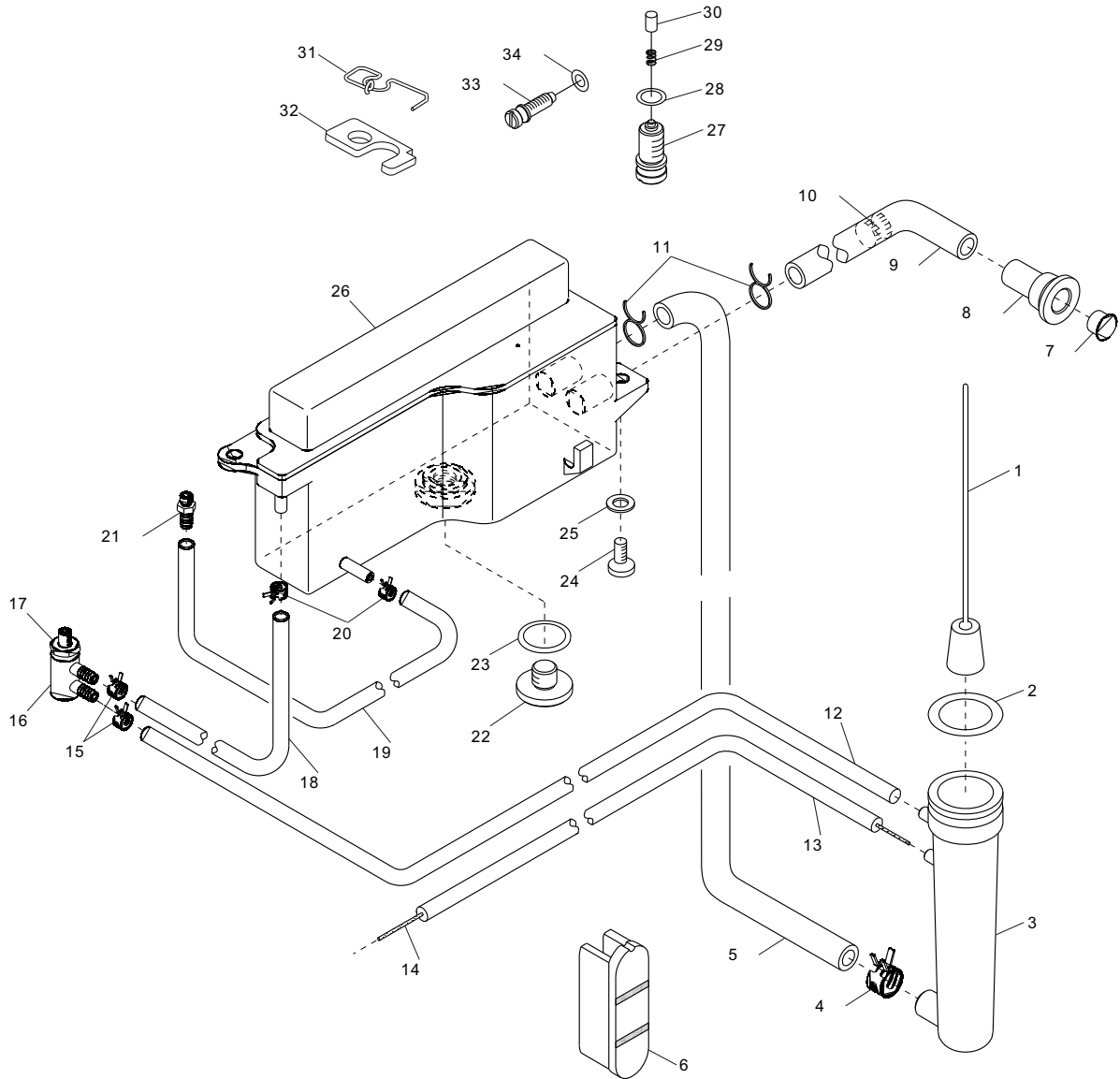
12. THREAD TRIMMER COMPONENTS (ROUND KNIFE)

No.	Parts No.	Description	Qty
1	10011422	Screw SM9/64" × 40 L=4	1
2	10011421	Fixed Knife	1
3	10014474	Screw SM11/64"×40 L=9	3
4	10013154	Washer	2
5	10011584	Dispart Thread Shuttle	1
6	10013333	Screw SM3/16" × 32 L=14	1
7	10013013	Trimming Crank	2
8	10013024	Bushing	1
9	10012162	Screw	1
10	10013027	Bushing	1
11	10013044	Knife Shaft Connecting Bar	1
12	10026142	Screw	2
13	10041773	Crank Block	1
14	10010595	Screw	2
15	10013023	Fixed Plate	1
16	10009626	Screw	3
17	10013026	Knife Holder	1
18	10011588	Screw SM11/64" × 40 L=4.7	2
19	10030280	Round Knife	1
20	10013045	Round Knife Bracket	1
21	10009471	Nut	1
22	10010736	Thread Trimmer Cam	1
23	10013465	Screw SM1/4" × 40 L=10	2
24	10028226	Spring	1
25	10014462	Bushing	1
26	10012162	Screw	1
27	10013008	Washer	1
28	10014196	Spring Cover	1
29	10013007	Trimming Crank Shaft	1
30	10008812	Spring	1
31	10008862	Screw SM1/4" × 40 L=5.8	1
32	10013878	Trimming Cam Crank ASM	1
33	10009654	Washer	1
34	10003031	Washer	1
35	10011650	Washer	1
36	10011697	Trimming Shaft	1
37	10013050	Loosing Plate	1

12. THREAD TRIMMER COMPONENTS (ROUND KNIFE)

No.	Parts No.	Description	Qty
38	10011605	Screw SM1/4"×28 L=12	1
39	10009471	Nut	2
40	10006131	Solenoid Base	1
41	10013046	Solenoid Connecting Shaft	1
42	10011845	Washer	1
43	10011606	Washer	1
44	10034509	Thread Trimmer Solenoid	1
45	10013590	Screw SM11/64"×40 L=4	1
46	10008834	Spring	1
47	10012467	Screw	1

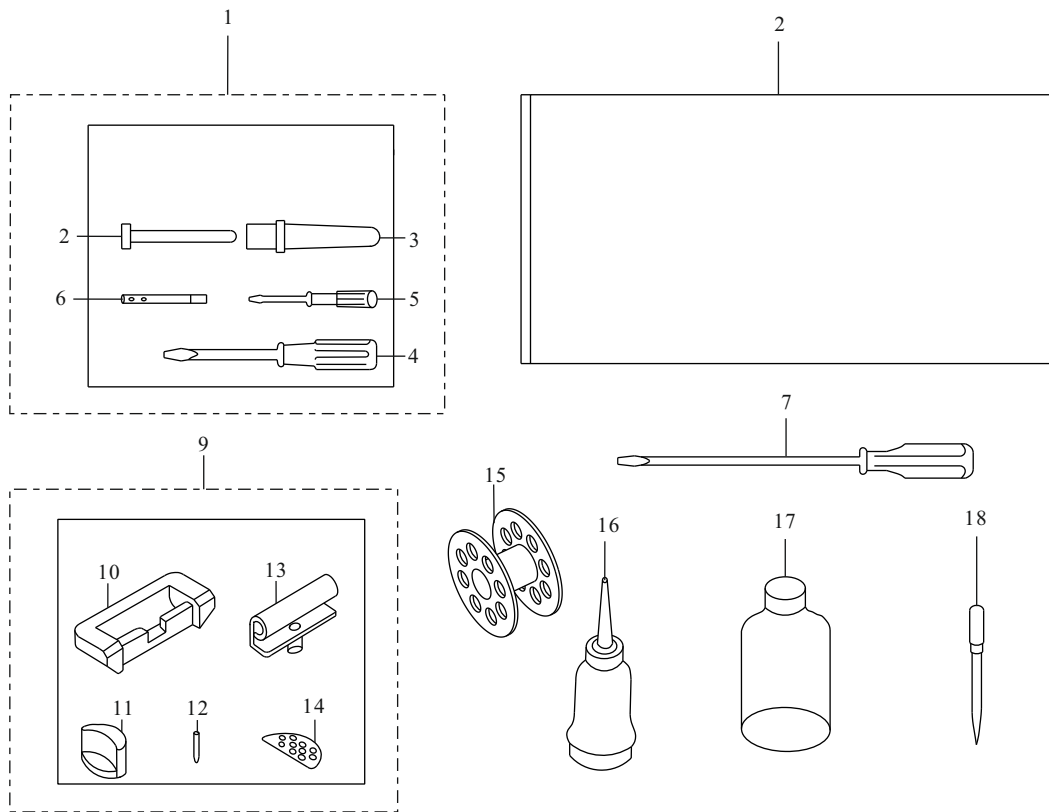
13. OIL LUBRICATION COMPONENTS



13. OIL LUBRICATION COMPONENTS

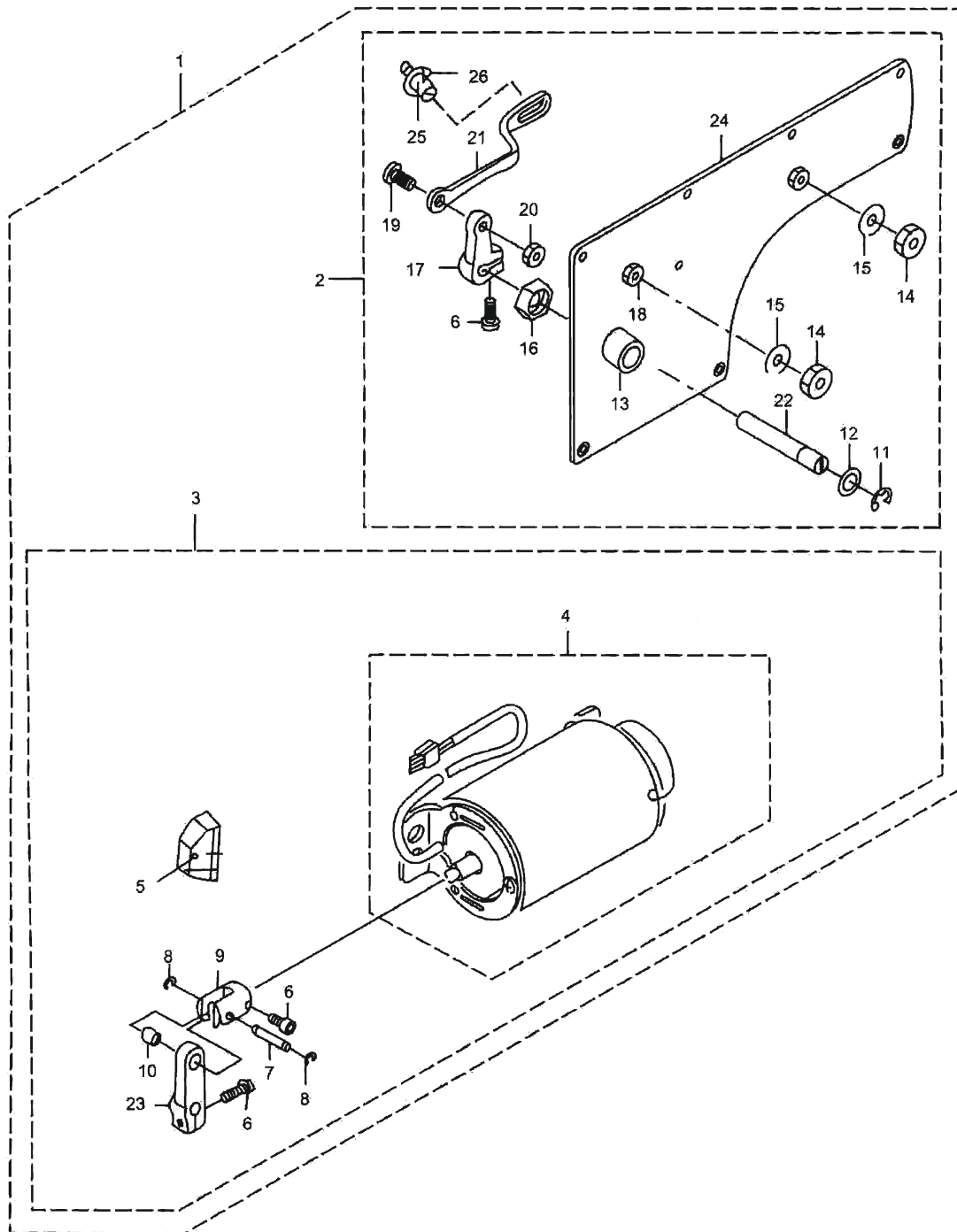
No.	Parts No.	Description	Qty
1	10000569	Floater ASM.	1
2	10008777	O-ring	1
3	10008782	Floater case	1
4	10013048	Pipe stopper	1
5	10007806	Oil pipe	1
6	10008772	Oil sight window	1
7	10008943	Rubber plug	1
8	10026510	Oil inlet	1
9	10007806	Oil pipe	1
10	20007434	Oil filter ASM.	1
11	10008785	Pipe stopper	2
12	10007800	Oil pipe	1
13	10007800	Oil pipe	1
14	10008101	Oil wick	1
15	10012160	Pipe stopper	2
16	10030182	Oil connection ASM.	1
17	10013012	Nut	1
18	10007800	Oil pipe	1
19	10007800	Oil pipe	1
20	10012160	Pipe stopper	2
21	10008779	Oil connection	1
22	10008783	Screw	1
23	10010240	O-ring	1
24	10008972	Screw	2
25	10009469	Washer	2
26	10012669	Oil tank ASM.	1
27	10013025	Screw	1
28	10014461	O-ring	1
29	10014386	Plunger spring	1
30	10012609	Plunger	1
31	10022507	Oil felt presser	1
32	10022345	Oil felt	1
33	10012667	Screw	1
34	10012606	O-ring	1

14. ACCESSORIES



No.	Parts No.	Description	Qty
1		Accessorie Bag Asm A	1
2	10012631	Knee Lifter Presser Rod	1
3	10004514	Frame Support Bar	1
4	10010995	Screw Driver,Middle	1
5	10013185	Screw Driver,Small	1
6	10005639	Needle Thread Guide ASM	1
7	10010994	Screw Driver,Large	1
8	10035159	Frame Cover	1
9		Accessorie Bag ASM B	1
10	10006286	Rubber Cushion	2
11	10013113	Oil Reservoir Seat	2
12	10003889	Nail	6
13	10004466	Hinge Compl	2
14	10013101	Oil Reservoir Cushion	2
15	10010060	Bobbin	3
16	10013294	Oiler ASM	1
17	10060866	Oil Box	1
18		Needle	3

15. AUTOMATIC PRESSER FOOT LIFTER COMPONENTS



15. AUTOMATIC PRESSER FOOT LIFTER COMPONENTS

No.	Parts No.	Description	Qty
1		Automatic presser foot lifter components	1
2		Rear cover board ASM	1
3		Electromagnet ASM	1
4	10022007	Electromagnet	1
5	10013083	Crank cover	1
6	10003044	Round screw	3
7	10013085	Bolt	1
8	10009653	Spring clip	2
9	10013033	Puller	1
10	10013090	Roller	1
11	10013038	Spring clip	1
12	10013096	Flat smear	1
13	10013084	Shaft hub	1
14	10013092	Electromagnet set screw and nut	2
15	10002991	Spacer	1
16	10003079	Thin nut	1
17	10012936	Connecting rod joint	1
18	10011161	Electromagnet set screw	2
19	10013093	Connecting rod joint hinge screw	1
20	10010725	Joint hinge screw and nut	3
21	10013111	Link lever	1
22	10013097	Transmission shaft	1
23	10013096	Actuator lever	1
24	20003454	Rear cover board	1
25	10013109	Connecting rod set screw	1
26	10013038	Spring clip	1



Dealer :

--